

Mean Labeling of Some Graphs

D. Ramya and P. Jeyanthi

(Received January 28, 2011; Revised November 11, 2011)

Abstract. Let G be a (p, q) graph and $f : V(G) \rightarrow \{0, 1, 2, 3, \dots, q\}$ be an injection. For each edge $e = uv$, let $f^*(e) = \left\lfloor \frac{f(u)+f(v)}{2} \right\rfloor$. Then f is called a mean labeling if $\{f^*(e) : e \in E(G)\} = \{1, 2, 3, \dots, q\}$. A graph that admits a mean labeling is called a *mean graph*. In this paper, we prove $T\hat{\circ}C_n, T\tilde{\circ}C_n, T@P_n, T\odot 2P_n$, where T is a T_p -tree, are mean graphs.

AMS 2010 Mathematics Subject Classification. 05C78.

Key words and phrases. Mean labeling, mean graph, T_p -tree.

§1. Introduction

By a graph, we mean a finite simple and undirected one. The vertex set and the edge set of a graph G are denoted by $V(G)$ and $E(G)$ respectively. The disjoint union of m copies of the graph G is denoted by mG . The union of two graphs G_1 and G_2 is the graph $G_1 \cup G_2$ with $V(G_1 \cup G_2) = V(G_1) \cup V(G_2)$ and $E(G_1 \cup G_2) = E(G_1) \cup E(G_2)$. A vertex of degree one is called a pendant vertex. The corona $G_1 \odot G_2$ of the graphs G_1 and G_2 is obtained by taking one copy of G_1 (with p vertices) and p copies of G_2 and joining the i^{th} vertex of G_1 to every vertex of the i^{th} copy of G_2 .

Let T be a tree and u_0 and v_0 be two adjacent vertices in $V(T)$. Let there be two pendant vertices u and v in T such that the length of u_0 - u path is equal to the length of v_0 - v path. If the edge u_0v_0 is deleted from T and u, v are joined by an edge uv , then such a transformation of T is called an elementary parallel transformation (or an EPT) and the edge u_0v_0 is called a transformable edge. If by a sequence of EPT's T can be reduced to a path, then T is called a T_p -tree (transformed tree) and any such sequence regarded as a composition of mappings (EPT's) denoted by P , is called a parallel transformation of T . The path, the image of T under P is denoted as $P(T)$.

Let T be a T_p -tree with m vertices. Let $T\hat{\circ}C_n$ be a graph obtained from T and m copies of C_n by identifying a vertex of i^{th} copy of C_n with i^{th} vertex of T . Let $T\bar{\circ}C_n$ be a graph obtained from T and m copies of C_n by joining a vertex of i^{th} copy of C_n with i^{th} vertex of T by an edge. Let $T\textcircled{P}_n$ be the graph obtained from T and m copies of P_n by identifying one pendant vertex of i^{th} copy of P_n with i^{th} vertex of T , where P_n is a path of length $n - 1$. Let $T\textcircled{2P}_n$ be the graph obtained from T by identifying the pendant vertices of two vertex disjoint paths of equal lengths $n - 1$ at each vertex of the T_p -tree T . Terms and notations not defined here are used in the sense of Harary [1].

A graph $G = (p, q)$ with p vertices and q edges is called a mean graph if there is an injective function f that maps $V(G)$ to $\{0, 1, 2, 3, \dots, q\}$ such that for each edge uv is labeled with $\frac{f(u)+f(v)}{2}$ if $f(u) + f(v)$ is even and $\frac{f(u)+f(v)+1}{2}$ if $f(u) + f(v)$ is odd. Then the resulting edge labels are distinct.

The mean labeling of $P_6 \odot K_1$ is given in Figure 1.

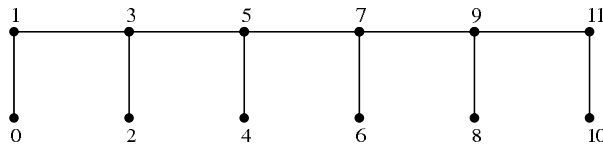


Figure 1

The concept of mean labeling is introduced by S. Somasundaram and R. Ponraj [7] in 2003. They have proved in [4, 5, 8, 9] and [10] the meanness of many standard graphs like $P_n, C_n, K_n (n \leq 3)$, the ladder, the triangular snake $K_{2,n}, K_2 + mK_1, K_n + 2K_2, C_m \cup P_n, P_m \times P_n, P_m \times C_n, C_m \odot K_1, P_m \odot K_1$, the friendship graph, triangular snakes, quadrilateral snakes, K_n if and only if $n \leq 3, K_{1,n}$ if and only if $n \leq 3$, bistars $B_{m,n} (m \geq n)$ if and only if $m < n + 2$, the subdivision graph of the star $K_{1,n}$ if and only if $n < 4$, the friendship graph $C_3^{(t)}$ if and only if $t < 2$. Also they have investigated the mean graphs of order less than or equal to 5. In addition, they have proved that the graphs $K_n (n > 3), K_{1,n} (n > 3), B_{m,n} (m > n + 2), S(K_{1,n}) (n > 4), C_3^{(t)} (t > 2)$, the wheel W_n are not mean graphs. M.A. Seoud and M.A. Salim [6] investigated the mean labeling of graphs of order 6. In [2, 3], some constructions of mean graphs and mean labeling of some standard families of graphs are given.

§2. Mean Graphs

Theorem 2.1. *Let T be a T_p -tree on m vertices. Then the graph $T\hat{\circ}C_n$ is a mean graph.*

Proof. Let T be a T_p -tree with m vertices. By the definition of a T_p -tree, there exists a parallel transformation P of T such that for the path $P(T)$ we have

(i) $V(P(T)) = V(T)$ and (ii) $E(P(T)) = (E(T) \setminus E_d) \cup E_P$, where E_d is the set of edges deleted from T and E_P is the set of edges newly added through the sequence $P = (P_1, P_2, \dots, P_k)$ of the EPTs P used to arrive at the path $P(T)$. Clearly E_d and E_P have the same number of edges.

Now denote the vertices of $P(T)$ successively as $v_1, v_2, v_3, \dots, v_m$ starting from one pendant vertex of $P(T)$ right up to other. Let $u_1^i, u_2^i, \dots, u_n^i$ be the vertices of the i^{th} copy of C_n with $u_1^i = v_i$ for $1 \leq i \leq m$. Then $V(T\hat{\delta}C_n) = \{u_i^j : 1 \leq i \leq n, 1 \leq j \leq m\}$. Let

$$n = \begin{cases} 2k + 1 & \text{if } n \text{ is odd} \\ 2k & \text{if } n \text{ is even.} \end{cases}$$

Define $f : V(T\hat{\delta}C_n) \rightarrow \{0, 1, 2, 3, \dots, q = (n + 1)m - 1\}$ as follows:

Case (i). n is odd.

$$\begin{aligned} f(u_i^{2j-1}) &= 2(n+1)(j-1) + 2(i-1) & \text{for } 1 \leq j \leq \left\lfloor \frac{m}{2} \right\rfloor, 1 \leq i \leq k+1, \\ f(u_{k+2}^{2j-1}) &= 2(n+1)(j-1) + n & \text{for } 1 \leq j \leq \left\lfloor \frac{m}{2} \right\rfloor, \\ f(u_{k+2+i}^{2j-1}) &= 2(n+1)(j-1) + n - 2i & \text{for } 1 \leq j \leq \left\lfloor \frac{m}{2} \right\rfloor, 1 \leq i \leq k-1, \\ f(u_1^{2j}) &= 2(n+1)j - 1 & \text{for } 1 \leq j \leq \left\lfloor \frac{m}{2} \right\rfloor, \\ f(u_i^{2j}) &= 2(n+1)j - 2(i-1) & \text{for } 1 \leq j \leq \left\lfloor \frac{m}{2} \right\rfloor, 2 \leq i \leq k+2, \\ f(u_{k+2+i}^{2j}) &= (n+1)(2j-1) + 2i + 1 & \text{for } 1 \leq j \leq \left\lfloor \frac{m}{2} \right\rfloor, 1 \leq i \leq k-1. \end{aligned}$$

Let $v_i v_j$ be a transformed edge in T for some indices i and j , $1 \leq i \leq j \leq m$ and let P_1 be the EPT that deletes the edge $v_i v_j$ and adds the edge $v_{i+t} v_{j-t}$ where t is the distance of v_i from v_{i+t} and also the distance of v_j from v_{j-t} . Let P be a parallel transformation of T that contains P_1 as one of the constituent EPTs. Since $v_{i+t} v_{j-t}$ is an edge in the path $P(T)$, $i+t+1 = j-t$ which implies $j = i+2t+1$. The induced label of the edge $v_i v_j$ is given by,

$$(2.1) \quad f^*(v_i v_j) = f^*(v_i v_{i+2t+1}) = \left\lceil \frac{f(v_i) + f(v_{i+2t+1})}{2} \right\rceil = (n+1)(i+t)$$

and

$$(2.2) \quad f^*(v_{i+t} v_{j-t}) = f^*(v_{i+t} v_{i+t+1}) = \left\lceil \frac{f(v_{i+t}) + f(v_{i+t+1})}{2} \right\rceil = (n+1)(i+t)$$

Therefore from (2.1) and (2.2), $f^*(v_i v_j) = f^*(v_{i+t} v_{j-t})$.

Let $e_i^j = u_i^j u_{i+1}^j, e_n^j = u_n^j u_1^j$ for $1 \leq i \leq n-1, 1 \leq j \leq m$.

For each vertex label f , the induced edge label f^* is defined as follows:

$$\begin{aligned}
f^*(v_i v_{i+1}) &= (n+1)i && \text{for } 1 \leq i \leq m-1, \\
f^*(e_i^{2j-1}) &= 2(n+1)(j-1) + 2i - 1 && \text{for } 1 \leq j \leq \left\lfloor \frac{m}{2} \right\rfloor, 1 \leq i \leq k+1 \\
f^*(e_{k+2}^{2j-1}) &= 2(n+1)(j-1) + n - 1 && \text{for } 1 \leq j \leq \left\lfloor \frac{m}{2} \right\rfloor, \\
f^*(e_{k+2+i}^{2j-1}) &= 2(n+1)(j-1) + n - 1 + 2i && \text{for } 1 \leq j \leq \left\lfloor \frac{m}{2} \right\rfloor, 1 \leq i \leq k-1, \\
f^*(e_i^{2j}) &= 2(n+1)j - 2i + 1 && \text{for } 1 \leq j \leq \left\lfloor \frac{m}{2} \right\rfloor, 1 \leq i \leq k+1, \\
f^*(e_{k+2}^{2j}) &= 2(n+1)j - n + 1 && \text{for } 1 \leq j \leq \left\lfloor \frac{m}{2} \right\rfloor, \\
f^*(e_{k+2+i}^{2j}) &= 2(n+1)j - n + 1 + 2i && \text{for } 1 \leq j \leq \left\lfloor \frac{m}{2} \right\rfloor, 1 \leq i \leq k-1.
\end{aligned}$$

It can be verified that f is an mean labeling of $T\hat{C}_n$.

Case (ii). n is even.

$$\begin{aligned}
f(u_i^{2j-1}) &= 2(n+1)(j-1) + 2(i-1) && \text{for } 1 \leq j \leq \left\lfloor \frac{m}{2} \right\rfloor, 1 \leq i \leq k+1, \\
f(u_{k+2}^{2j-1}) &= 2(n+1)(j-1) + n - 1 && \text{for } 1 \leq j \leq \left\lfloor \frac{m}{2} \right\rfloor, \\
f(u_{k+2+i}^{2j-1}) &= 2(n+1)(j-1) + n - 1 - 2i && \text{for } 1 \leq j \leq \left\lfloor \frac{m}{2} \right\rfloor, 1 \leq i \leq k-2, \\
f(u_i^{2j}) &= 2(n+1)j - 2i + 1 && \text{for } 1 \leq j \leq \left\lfloor \frac{m}{2} \right\rfloor, 1 \leq i \leq k+1 \\
f(u_{k+2}^{2j}) &= 2(n+1)j - n + 2 && \text{for } 1 \leq j \leq \left\lfloor \frac{m}{2} \right\rfloor, \\
f(u_{k+2+i}^{2j}) &= 2(n+1)j - n + 2 + 2i && \text{for } 1 \leq j \leq \left\lfloor \frac{m}{2} \right\rfloor, 1 \leq i \leq k-2.
\end{aligned}$$

Let $v_i v_j$ be a transformed edge in T for some indices i and j , $1 \leq i \leq j \leq m$ and let P_1 be the EPT that deletes the edge $v_i v_j$ and adds the edge $v_{i+t} v_{j-t}$ where t is the distance of v_i from v_{i+t} and also the distance of v_j from v_{j-t} . Let P be a parallel transformation of T that contains P_1 as one of the constituent EPTs. Since $v_{i+t} v_{j-t}$ is an edge in the path $P(T)$, $i+t+1 = j-t$ which implies $j = i+2t+1$. The induced label of the edge $v_i v_j$ is given by,

$$(2.3) \quad f^*(v_i v_j) = f^*(v_i v_{i+2t+1}) = \left\lceil \frac{f(v_i) + f(v_{i+2t+1})}{2} \right\rceil = (n+1)(i+t)$$

and

$$(2.4) \quad f^*(v_{i+t} v_{j-t}) = f^*(v_{i+t} v_{i+t+1}) = \left\lceil \frac{f(v_{i+t}) + f(v_{i+t+1})}{2} \right\rceil = (n+1)(i+t)$$

Therefore from (2.3) and (2.4), $f^*(v_i v_j) = f^*(v_{i+t} v_{j-t})$.

Let $e_i^j = u_i^j u_{i+1}^j, e_n^j = u_n^j u_1^j$ for $1 \leq i \leq n-1, 1 \leq j \leq m$.

For each vertex label f , the induced edge label f^* is defined as follows:

$$\begin{aligned}
 f^*(v_i v_{i+1}) &= (n+1)i && \text{for } 1 \leq i \leq m-1, \\
 f^*(e_i^{2j-1}) &= 2(n+1)(j-1) + 2i - 1 && \text{for } 1 \leq j \leq \left\lceil \frac{m}{2} \right\rceil, 1 \leq i \leq k \\
 f^*(e_{k+i}^{2j-1}) &= 2(n+1)(j-1) + n - 2(i-1) && \text{for } 1 \leq j \leq \left\lceil \frac{m}{2} \right\rceil, 1 \leq i \leq k, \\
 f^*(e_i^{2j}) &= 2(n+1)j - 2i && \text{for } 1 \leq j \leq \left\lfloor \frac{m}{2} \right\rfloor, 1 \leq i \leq k, \\
 f^*(e_{k+i}^{2j}) &= 2(n+1)j - n + 2i - 1 && \text{for } 1 \leq j \leq \left\lfloor \frac{m}{2} \right\rfloor, 1 \leq i \leq k.
 \end{aligned}$$

It can be verified that f is an mean labeling of $T\hat{\circ}C_n$. Hence $T\hat{\circ}C_n$ is a mean graph. \square

The example for the mean labeling of $T\hat{\circ}C_6$, where T is a T_p -tree with 11 vertices, is given in Figure 2.

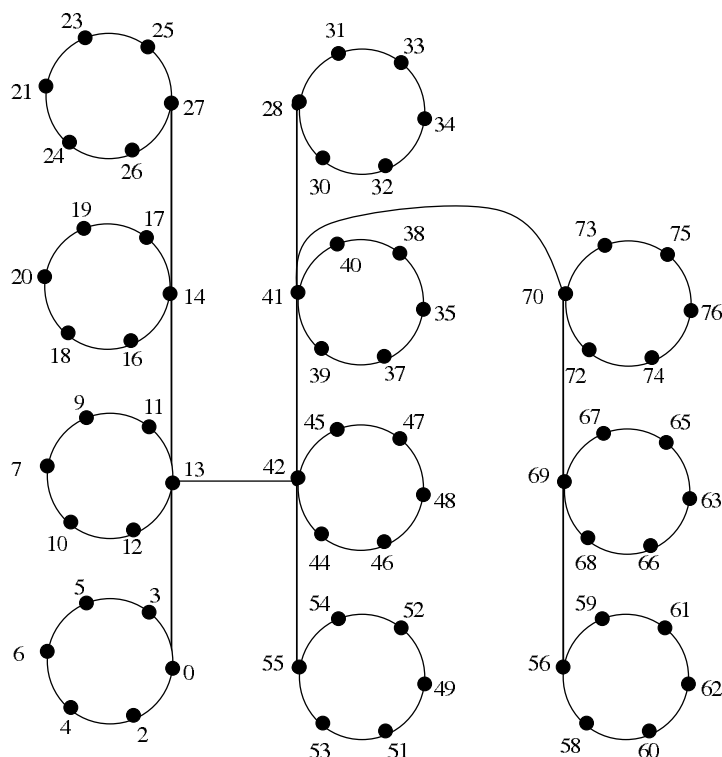


Figure 2

Corollary 2.2. *Let T be a T_p -tree on m vertices. Then the graph $T \odot K_2$ is a mean graph.*

Proof. It follows from Theorem 2.1, by taking $n = 3$. \square

Theorem 2.3. *Let T be a T_p -tree on m vertices. Then the graph $T\tilde{O}C_n$ is a mean graph.*

Proof. Let T be a T_p -tree with m vertices. By the definition of a T_p -tree there exists a parallel transformation P of T such that for the path $P(T)$ we have (i) $V(P(T)) = V(T)$ and (ii) $E(P(T)) = (E(T) \setminus E_d) \cup E_P$, where E_d is the set of edges deleted from T and E_P is the set of edges newly added through the sequence $P = (P_1, P_2, \dots, P_k)$ of the EPTs P used to arrive at the path $P(T)$. Clearly E_d and E_P have the same number of edges.

Now denote the vertices of $P(T)$ successively as $v_1, v_2, v_3, \dots, v_m$ starting from one pendant vertex of $P(T)$ right up to other. Let $u_1^i, u_2^i, \dots, u_n^i$ be the vertices of the i^{th} copy of C_n for $1 \leq i \leq m$. Then $V(T\tilde{O}C_n) = \{v_j, u_i^j : 1 \leq i \leq n, 1 \leq j \leq m\}$ and $E(T\tilde{O}C_n) = E(T) \cup E(C_n) \cup \{v_j u_1^j : 1 \leq j \leq m\}$. Let

$$n = \begin{cases} 2k + 1 & \text{if } n \text{ is odd} \\ 2k & \text{if } n \text{ is even.} \end{cases}$$

Define $f : V(T\tilde{O}C_n) \rightarrow \{0, 1, 2, 3, \dots, q = (n + 2)m - 1\}$ as follows:

$$\begin{aligned} f(v_{2i-1}) &= 2(n + 2)(i - 1) & \text{for } 1 \leq i \leq \left\lceil \frac{m}{2} \right\rceil, \\ f(v_{2i}) &= 2(n + 2)i - 1 & \text{for } 1 \leq i \leq \left\lfloor \frac{m}{2} \right\rfloor. \end{aligned}$$

Case (i). n is odd.

$$\begin{aligned} f(u_i^{2j-1}) &= 2(n + 2)(j - 1) + (2i - 1) & \text{for } 1 \leq j \leq \left\lceil \frac{m}{2} \right\rceil, 1 \leq i \leq k + 1, \\ f(u_{k+2}^{2j-1}) &= 2(n + 2)(j - 1) + n + 1 & \text{for } 1 \leq j \leq \left\lceil \frac{m}{2} \right\rceil, \\ f(u_{k+2+i}^{2j-1}) &= 2(n + 2)(j - 1) + n + 1 - 2i & \text{for } 1 \leq j \leq \left\lceil \frac{m}{2} \right\rceil, 1 \leq i \leq k - 1, \\ f(u_i^{2j}) &= 2(n + 2)j - 2(i - 1) - 2 & \text{for } 1 \leq j \leq \left\lfloor \frac{m}{2} \right\rfloor, 1 \leq i \leq k, \\ f(u_{k+1}^{2j}) &= 2(n + 2)j - n - 2 & \text{for } 1 \leq j \leq \left\lfloor \frac{m}{2} \right\rfloor, \\ f(u_{k+1+i}^{2j}) &= 2(n + 2)j - n + 2(i - 1) & \text{for } 1 \leq j \leq \left\lfloor \frac{m}{2} \right\rfloor, 1 \leq i \leq k. \end{aligned}$$

Let $v_i v_j$ be a transformed edge in T for some indices i and j , $1 \leq i \leq j \leq m$ and let P_1 be the EPT that deletes the edge $v_i v_j$ and adds the edge $v_{i+t} v_{j-t}$ where t is the distance of v_i from v_{i+t} and also the distance of v_j from v_{j-t} . Let P be a parallel transformation of T that contains P_1 as one of the constituent

EPTs. Since $v_{i+t}v_{j-t}$ is an edge in the path $P(T)$, $i + t + 1 = j - t$ which implies $j = i + 2t + 1$. The induced label of the edge $v_i v_j$ is given by,

$$(2.5) \quad f^*(v_i v_j) = f^*(v_i v_{i+2t+1}) = \left\lceil \frac{f(v_i) + f(v_{i+2t+1})}{2} \right\rceil = (n + 2)(i + t)$$

and

$$(2.6) \quad f^*(v_{i+t} v_{j-t}) = f^*(v_{i+t} v_{i+t+1}) = \left\lceil \frac{f(v_{i+t}) + f(v_{i+t+1})}{2} \right\rceil = (n + 2)(i + t)$$

Therefore from (2.5) and (2.6), $f^*(v_i v_j) = f^*(v_{i+t} v_{j-t})$.

Let $e_i^j = u_i^j u_{i+1}^j, e_n^j = u_n^j u_1^j$ for $1 \leq i \leq n - 1, 1 \leq j \leq m$.

For each vertex label f , the induced edge label f^* is defined as follows:

$$\begin{aligned} f^*(v_i v_{i+1}) &= (n + 2)i && \text{for } 1 \leq i \leq m - 1, \\ f^*(v_{2j-1} u_1^{2j-1}) &= 2(n + 2)(j - 1) + 1 && \text{for } 1 \leq j \leq \left\lfloor \frac{m}{2} \right\rfloor, \\ f^*(v_{2j} u_1^{2j}) &= 2(n + 2)j - 1 && \text{for } 1 \leq j \leq \left\lfloor \frac{m}{2} \right\rfloor, \\ f^*(e_i^{2j-1}) &= 2(n + 2)(j - 1) + 2i && \text{for } 1 \leq j \leq \left\lfloor \frac{m}{2} \right\rfloor, \\ &&& 1 \leq i \leq k + 1 \\ f^*(e_{k+1+i}^{2j-1}) &= 2(n + 2)(j - 1) + n - 2(i - 1) && \text{for } 1 \leq j \leq \left\lfloor \frac{m}{2} \right\rfloor, \\ &&& 1 \leq i \leq k, \\ f^*(e_i^{2j}) &= 2(n + 2)j - 2i - 1 && \text{for } 1 \leq j \leq \left\lfloor \frac{m}{2} \right\rfloor, \\ &&& 1 \leq i \leq k, \\ f^*(e_{k+i}^{2j}) &= 2(n + 2)j - n - 1 + 2i && \text{for } 1 \leq j \leq \left\lfloor \frac{m}{2} \right\rfloor, \\ &&& 1 \leq i \leq k + 1. \end{aligned}$$

It can be verified that f is an mean labeling of $T\tilde{o}C_n$.

Case (ii). n is even.

$$\begin{aligned} f(u_i^{2j-1}) &= 2(n + 2)(j - 1) + (2i - 1) && \text{for } 1 \leq j \leq \left\lfloor \frac{m}{2} \right\rfloor, 1 \leq i \leq k + 1, \\ f(u_{k+2}^{2j-1}) &= 2(n + 2)(j - 1) + n && \text{for } 1 \leq j \leq \left\lfloor \frac{m}{2} \right\rfloor, \\ f(u_{k+2+i}^{2j-1}) &= 2(n + 2)(j - 1) + n - 2i && \text{for } 1 \leq j \leq \left\lfloor \frac{m}{2} \right\rfloor, 1 \leq i \leq k - 2, \\ f(u_i^{2j}) &= 2(n + 2)j - 2(i - 1) - 2 && \text{for } 1 \leq j \leq \left\lfloor \frac{m}{2} \right\rfloor, 1 \leq i \leq k + 1, \\ f(u_{k+2}^{2j}) &= 2(n + 2)j - n + 1 && \text{for } 1 \leq j \leq \left\lfloor \frac{m}{2} \right\rfloor, \\ f(u_{k+2+i}^{2j}) &= 2(n + 2)j - n + 1 + 2i && \text{for } 1 \leq j \leq \left\lfloor \frac{m}{2} \right\rfloor, 1 \leq i \leq k - 2. \end{aligned}$$

Let $v_i v_j$ be a transformed edge in T for some indices i and j , $1 \leq i \leq j \leq m$ and let P_1 be the EPT that deletes the edge $v_i v_j$ and adds the edge $v_{i+t} v_{j-t}$ where t is the distance of v_i from v_{i+t} and also the distance of v_j from v_{j-t} . Let P be a parallel transformation of T that contains P_1 as one of the constituent EPTs. Since $v_{i+t} v_{j-t}$ is an edge in the path $P(T)$, $i + t + 1 = j - t$ which implies $j = i + 2t + 1$. The induced label of the edge $v_i v_j$ is given by,

$$(2.7) \quad f^*(v_i v_j) = f^*(v_i v_{i+2t+1}) = \left\lceil \frac{f(v_i) + f(v_{i+2t+1})}{2} \right\rceil = (n+2)(i+t)$$

and

$$(2.8) \quad f^*(v_{i+t} v_{j-t}) = f^*(v_{i+t} v_{i+t+1}) = \left\lceil \frac{f(v_{i+t}) + f(v_{i+t+1})}{2} \right\rceil = (n+2)(i+t)$$

Therefore from (2.7) and (2.8), $f^*(v_i v_j) = f^*(v_{i+t} v_{j-t})$.

Let $e_i^j = u_i^j u_{i+1}^j$, $e_n^j = u_n^j u_1^j$ for $1 \leq i \leq n-1$, $1 \leq j \leq m$.

For each vertex label f , the induced edge label f^* is defined as follows:

$$\begin{aligned} f^*(v_i v_{i+1}) &= (n+2)i && \text{for } 1 \leq i \leq m-1, \\ f^*(v_{2j-1} u_1^{2j-1}) &= 2(n+2)(j-1) + 1 && \text{for } 1 \leq j \leq \left\lceil \frac{m}{2} \right\rceil, \\ f^*(v_{2j} u_1^{2j}) &= 2(n+2)j - 1 && \text{for } 1 \leq j \leq \left\lceil \frac{m}{2} \right\rceil, \\ f^*(e_i^{2j-1}) &= 2(n+2)(j-1) + 2i && \text{for } 1 \leq j \leq \left\lceil \frac{m}{2} \right\rceil, 1 \leq i \leq k, \\ f^*(e_{k+i}^{2j-1}) &= 2(n+2)(j-1) + n + 3 - 2i && \text{for } 1 \leq j \leq \left\lceil \frac{m}{2} \right\rceil, 1 \leq i \leq k, \\ f^*(e_i^{2j}) &= 2(n+2)j - 2i - 1 && \text{for } 1 \leq j \leq \left\lceil \frac{m}{2} \right\rceil, 1 \leq i \leq k, \\ f^*(e_{k+i}^{2j}) &= 2(n+2)j - n + 2(i-1) && \text{for } 1 \leq j \leq \left\lceil \frac{m}{2} \right\rceil, 1 \leq i \leq k. \end{aligned}$$

It can be verified that f is a mean labeling of $T\tilde{\circ}C_n$. Hence $T\tilde{\circ}C_n$ is a mean graph. \square

The example for the mean labeling of $T\tilde{\circ}C_5$, where T is a T_p -tree with 9 vertices, is given in Figure 3.

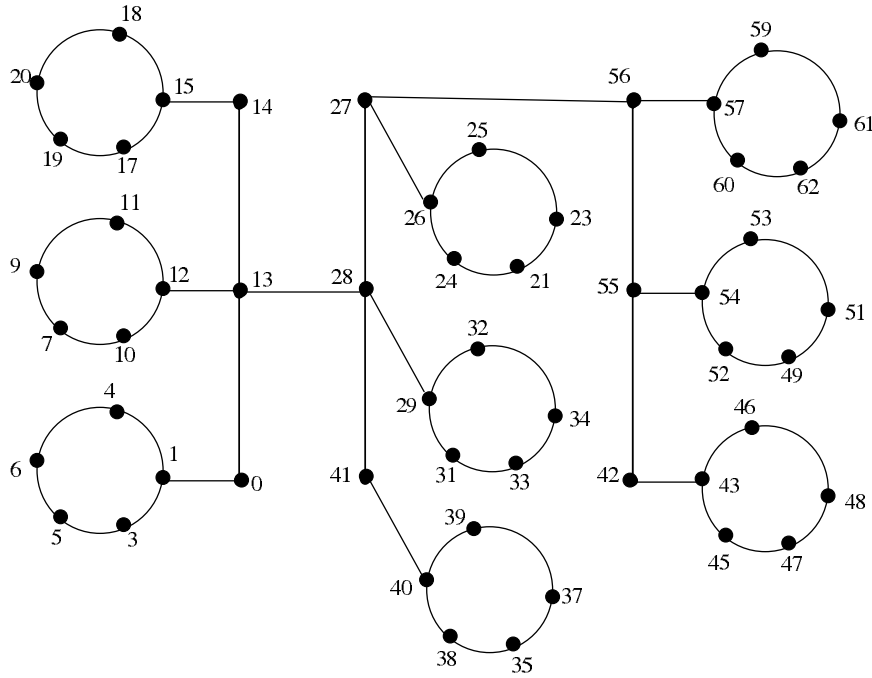


Figure 3

Theorem 2.4. *Let T be a T_p -tree on m vertices. Then the graph $T@P_n$ is a mean graph.*

Proof. Let T be a T_p -tree with m vertices. By the definition of a T_p -tree there exists a parallel transformation P of T such that for the path $P(T)$ we have (i) $V(P(T)) = V(T)$ and (ii) $E(P(T)) = (E(T) \setminus E_d) \cup E_P$, where E_d is the set of edges deleted from T and E_P is the set of edges newly added through the sequence $P = (P_1, P_2, \dots, P_k)$ of the EPTs P used to arrive at the path $P(T)$. Clearly E_d and E_P have the same number of edges.

Now denote the vertices of $P(T)$ successively as $v_1, v_2, v_3, \dots, v_m$ starting from one pendant vertex of $P(T)$ right up to other. Let $u_1^j, u_2^j, u_3^j, \dots, u_n^j$ ($1 \leq j \leq m$) be the vertices of j^{th} copy of P_n . Then $V(T@P_n) = \{u_i^j : 1 \leq i \leq n, 1 \leq j \leq m \text{ with } u_n^j = v_j\}$.

Define $f : V(T@P_n) \rightarrow \{0, 1, 2, 3, \dots, q = mn - 1\}$ as follows:

$$f(u_i^{2j-1}) = 2(j-1)n + i - 1 \text{ for } 1 \leq i \leq n, 1 \leq j \leq \left\lfloor \frac{m}{2} \right\rfloor,$$

$$f(u_i^{2j}) = (2j-1)n + n - i \text{ for } 1 \leq i \leq n, 1 \leq j \leq \left\lfloor \frac{m}{2} \right\rfloor.$$

Let $v_i v_j$ be a transformed edge in T for some indices i and j , $1 \leq i \leq j \leq m$ and let P_1 be the EPT that deletes the edge $v_i v_j$ and adds the edge $v_{i+t} v_{j-t}$ where t is the distance of v_i from v_{i+t} and also the distance of v_j from v_{j-t} . Let

P be a parallel transformation of T that contains P_1 as one of the constituent EPTs. Since $v_{i+t}v_{j-t}$ is an edge in the path $P(T)$, $i + t + 1 = j - t$ which implies $j = i + 2t + 1$. The induced label of the edge $v_i v_j$ is given by,

$$(2.9) \quad f^*(v_i v_j) = f^*(v_i v_{i+2t+1}) = \left\lceil \frac{f(v_i) + f(v_{i+2t+1})}{2} \right\rceil = n(i + t)$$

and

$$(2.10) \quad f^*(v_{i+t} v_{j-t}) = f^*(v_{i+t} v_{i+t+1}) = \left\lceil \frac{f(v_{i+t}) + f(v_{i+t+1})}{2} \right\rceil = n(i + t).$$

Therefore from (2.9) and (2.10), $f^*(v_i v_j) = f^*(v_{i+t} v_{j-t})$.

Let $e_i^j = u_i^j u_{i+1}^j$ for $1 \leq i \leq n - 1, 1 \leq j \leq m$.

For each vertex label f , the induced edge label f^* is defined as follows:

$$\begin{aligned} f^*(v_i v_{i+1}) &= ni && \text{for } 1 \leq i \leq m - 1, \\ f^*(e_i^{2j-1}) &= 2n(j - 1) + i && \text{for } 1 \leq i \leq n - 1, 1 \leq j \leq \left\lceil \frac{m}{2} \right\rceil, \\ f^*(e_i^{2j}) &= n(2j - 1) + n - i && \text{for } 1 \leq i \leq n - 1, 1 \leq j \leq \left\lfloor \frac{m}{2} \right\rfloor. \end{aligned}$$

It can be verified that f is a mean labeling of $T@P_n$. Hence $T@P_n$ is a mean graph. \square

The example for the mean labeling of $T@P_4$, where T is a T_p -tree with 12 vertices, is given in Figure 4.

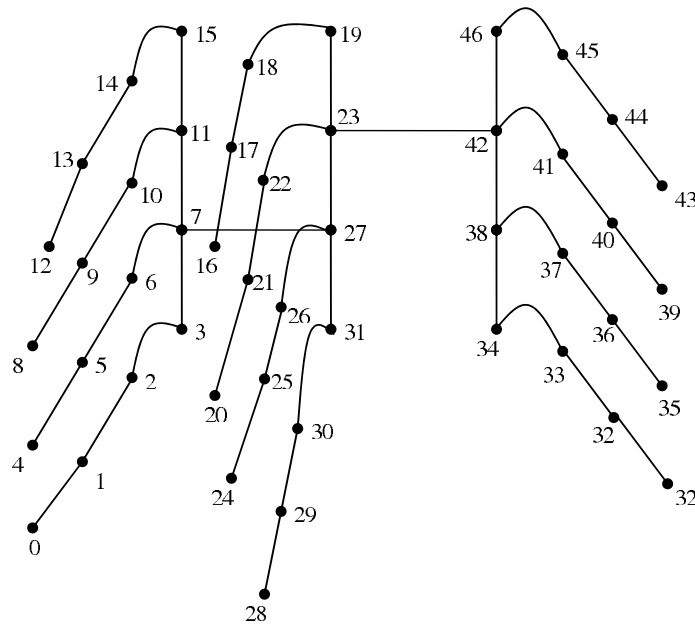


Figure 4

Theorem 2.5. *Let T be a T_p -tree on m vertices. Then the graph $T \odot 2P_n$ is a mean graph.*

Proof. Let T be a T_p -tree with m vertices. By the definition of a T_p -tree there exists a parallel transformation P of T such that for the path $P(T)$ we have (i) $V(P(T)) = V(T)$ and (ii) $E(P(T)) = (E(T) \setminus E_d) \cup E_P$, where E_d is the set of edges deleted from T and E_P is the set of edges newly added through the sequence $P = (P_1, P_2, \dots, P_k)$ of the EPTs P used to arrive at the path $P(T)$. Clearly E_d and E_P have the same number of edges.

Now denote the vertices of $P(T)$ successively as $v_1, v_2, v_3, \dots, v_m$ starting from one pendant vertex of $P(T)$ right up to other. Let $u_{1,1}^j, u_{1,2}^j, u_{1,3}^j, \dots, u_{1,n}^j$ and $u_{2,1}^j, u_{2,2}^j, u_{2,3}^j, \dots, u_{2,n}^j$ ($1 \leq j \leq m$) be the vertices of the two vertex disjoint paths joined with j^{th} vertex of T such that $v_j = u_{1,n}^j = u_{2,n}^j$. Then $V(T \odot P_n) = \{v_j, u_{1,i}^j, u_{2,i}^j : 1 \leq i \leq n, 1 \leq j \leq m \text{ with } v_j = u_{1,n}^j = u_{2,n}^j\}$.

Define $f : V(T \odot 2P_n) \rightarrow \{0, 1, 2, 3, \dots, q = m(2n - 1) - 1\}$ as follows:

$$\begin{aligned} f(u_{1,i}^j) &= (2n - 1)(j - 1) + i - 1 & \text{for } 1 \leq i \leq n, 1 \leq j \leq m, \\ f(u_{2,n+1-i}^j) &= (2n - 1)(j - 1) + n + i - 2 & \text{for } 2 \leq i \leq n, 1 \leq j \leq m. \end{aligned}$$

Let $v_i v_j$ be a transformed edge in T for some indices i and j , $1 \leq i \leq j \leq m$ and let P_1 be the EPT that deletes the edge $v_i v_j$ and adds the edge $v_{i+t} v_{j-t}$ where t is the distance of v_i from v_{i+t} and also the distance of v_j from v_{j-t} . Let P be a parallel transformation of T that contains P_1 as one of the constituent EPTs. Since $v_{i+t} v_{j-t}$ is an edge in the path $P(T)$, $i + t + 1 = j - t$ which implies $j = i + 2t + 1$. The induced label of the edge $v_i v_j$ is given by,

$$(2.11) \quad f^*(v_i v_j) = f^*(v_i v_{i+2t+1}) = \left\lceil \frac{f(v_i) + f(v_{i+2t+1})}{2} \right\rceil = (2n - 1)(i + t)$$

and

$$(2.12) \quad f^*(v_{i+t} v_{j-t}) = f^*(v_{i+t} v_{i+t+1}) = \left\lceil \frac{f(v_{i+t}) + f(v_{i+t+1})}{2} \right\rceil = (2n - 1)(i + t).$$

Therefore from (2.11) and (2.12), $f^*(v_i v_j) = f^*(v_{i+t} v_{j-t})$.

Let $e_{1,i}^j = u_{1,i}^j u_{1,i+1}^j$ for $1 \leq i \leq n - 1, 1 \leq j \leq m$, $e_{2,i}^j = u_{2,i}^j u_{2,i+1}^j$ for $1 \leq i \leq n - 1, 1 \leq j \leq m$ and $e_j = v_j v_{j+1}$ for $1 \leq j \leq m - 1$.

For each vertex label f , the induced edge label f^* is defined as follows:

$$\begin{aligned} f^*(v_i v_{i+1}) &= (2n - 1)i & \text{for } 1 \leq i \leq m - 1, \\ f^*(e_{1,i}^j) &= (2n - 1)(j - 1) + i & \text{for } 1 \leq i \leq n - 1, 1 \leq j \leq m, \\ f^*(e_{2,n+1-i}^j) &= (2n - 1)(j - 1) + n + i - 2 & \text{for } 2 \leq i \leq n, 1 \leq j \leq m. \end{aligned}$$

It can be verified that f is a mean labeling of $T \odot 2P_n$. Hence $T \odot 2P_n$ is a mean graph. \square

The example for the mean labeling of $T \odot 2P_3$, where T is a T_p -tree with 11 vertices, is given in Figure 5.

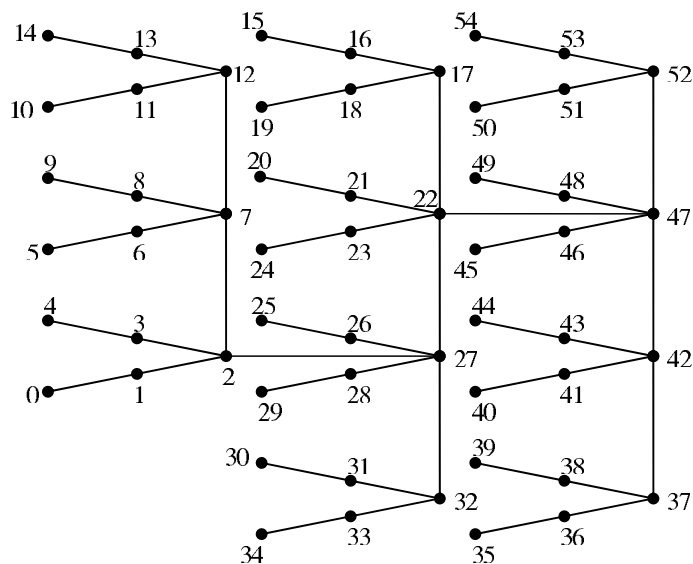


Figure 5

References

- [1] F. Harary, *Graph Theory*, Addison Wesley, Massachusetts, (1972).
- [2] P. Jeyanthi, D. Ramya and A. Maheswari, Mean Labeling of Some Trees, *Utilitas Math.*, (To Appear).
- [3] P. Jeyanthi and D. Ramya, *On Construction of Mean graphs*, (Preprint).
- [4] R. Ponraj and S. Somasundaram, Further results on mean graphs, *Proc. SACOECONFERENCE, Dr. Sivanthi Aditanar College of Engineering*, (2005) 443-448.
- [5] R. Ponraj and S. Somasundaram, *Mean graphs obtained from mean graphs*, (Preprint).
- [6] M. A. Seoud and M. A. Salim, On Mean Graphs, *Ars Combin.*, (To appear).
- [7] S. Somasundaram and R. Ponraj, Mean labelings of graphs, *National Academy Science letter*, **26** (2003), 210-213.

- [8] S. Somasundaram and R. Ponraj, Non - existence of mean labeling for a wheel, *Bulletin of pure and Applied Sciences, (Section E Maths & Statistics)* **22E** (2003), 103-111.
- [9] S. Somasundaram and R. Ponraj, Some results on means graphs, *Pure and Applied Matematika Sciences*, **58** (2003), 29-35.
- [10] S. Somasundaram and R. Ponraj, On Mean graphs of order ≤ 5 , *Journal of Decision and Mathematical Sciences*, **9**(1-3) (2004), 48-58.

D. Ramya
Department of Mathematics
Dr. Sivanthi Aditanar College of Engineering
Tiruchendur-628 215, India

E-mail: aymar_padma@yahoo.co.in

P. Jeyanthi
Department of Mathematics
Govindammal Aditanar College for Women
Tiruchendur-628 215, India

E-mail: jeyajeyanthi@rediffmail.com