

Complete Bipartite Graphs Whose Topological Symmetry Groups are Polyhedral

Blake MELLOR

Loyola Marymount University

(Communicated by K. Taniyama)

Abstract. We determine for which n , the complete bipartite graph $K_{n,n}$ has an embedding in S^3 whose topological symmetry group is isomorphic to one of the polyhedral groups: A_4 , A_5 , or S_4 .

1. Introduction

The *topological symmetry group* was introduced by Jon Simon [13] to study symmetries of polymers and other flexible molecules for which the traditional point group (i.e. the group of rigid symmetries) is insufficient. We consider an abstract graph γ with automorphism group $\text{Aut}(\gamma)$, and let Γ be an embedding of γ in S^3 . The *topological symmetry group* of Γ , denoted $\text{TSG}(\Gamma)$, is the subgroup of $\text{Aut}(\gamma)$ induced by homeomorphisms of the pair (S^3, Γ) . The *orientation preserving topological symmetry group* of Γ , denoted $\text{TSG}_+(\Gamma)$, is the subgroup of $\text{Aut}(\gamma)$ induced by orientation preserving homeomorphisms of the pair (S^3, Γ) . In this paper we are only concerned with $\text{TSG}_+(\Gamma)$, so we will refer to it as simply the *topological symmetry group*.

It has long been known that every finite group can be realized as $\text{Aut}(\gamma)$ for some graph γ [10]. However, this is *not* true for topological symmetry groups. Results of Flapan, Naimi, Pommersheim and Tamvakis [8], in combination with the recent proof of the Geometrization Conjecture [12], show that a group is the topological symmetry group for some embedding of a 3-connected graph if and only if it is a finite subgroup of $\text{SO}(4)$. However, their results do not give any information as to which graphs can be used to realize any particular group. The first results along these lines have been for the family of complete graphs K_n . Flapan, Naimi and Tamvakis [9] classified the groups which could be realized as the topological symmetry group for an embedding of a complete graph; subsequently, Flapan, Naimi and the author determined exactly which complete graphs had embeddings that realized each group [6, 7].

Received February 16, 2013; revised August 27, 2013

1991 *Mathematics Subject Classification*: 57M25, 05C10

Key words and phrases: Topological symmetry groups, spatial graphs

This research was supported in part by NSF Grant DMS-0905687.

In this paper we turn to another well-known family of graphs, the *complete bipartite graphs* $K_{n,n}$. Unlike the complete graphs, where only some of the subgroups of $\text{SO}(4)$ are realizable as topological symmetry groups, *any* finite subgroup of $\text{SO}(4)$ can be realized as the topological symmetry group of an embedding of some $K_{n,n}$ [8]. So the complete bipartite graphs are a natural family of graphs to investigate in order to better understand the full range of possible topological symmetry groups. The finite subgroups of $\text{SO}(4)$ have been classified and they can all be described as quotients of products of cyclic groups \mathbf{Z}_n , dihedral groups D_n , and the symmetry groups of the regular polyhedra (A_4 , S_4 and A_5) [3]. As a first step in understanding the topological symmetry groups of complete bipartite graphs, it makes sense to first consider these building blocks. In this paper, we will consider the polyhedral groups A_4 , S_4 and A_5 ; in later work we will consider cyclic and dihedral groups [11]. We will prove the following three theorems:

BIPARTITE A_4 THEOREM. *A complete bipartite graph $K_{n,n}$ has an embedding Γ in S^3 such that $\text{TSG}_+(\Gamma) \cong A_4$ if and only if $n \equiv 0, 2, 4, 6, 8 \pmod{12}$ and $n \geq 4$.*

BIPARTITE S_4 THEOREM. *A complete graph $K_{n,n}$ has an embedding Γ in S^3 such that $\text{TSG}_+(\Gamma) \cong S_4$ if and only if $n \equiv 0, 2, 4, 6, 8 \pmod{12}$, $n \geq 4$ and $n \neq 6$.*

BIPARTITE A_5 THEOREM. *A complete graph $K_{n,n}$ has an embedding Γ in S^3 such that $\text{TSG}_+(\Gamma) \cong A_5$ if and only if $n \equiv 0, 2, 12, 20, 30, 32, 42, 50 \pmod{60}$ and $n > 30$.*

2. Necessity of the conditions

In this section we will prove the necessity of the conditions given in the Bipartite A_4 , S_4 and A_5 Theorems. We begin with a few results proved elsewhere which we will find useful. The first is the observation that conjugate elements of A_4 , S_4 or A_5 fix the same number of vertices of a graph. We will frequently refer to the elements of these groups of order 2 as *involutions*.

FIXED VERTEX PROPERTY. [6] *Let $G \cong A_4, A_5$ and suppose G acts faithfully on a graph Γ . Then all elements of G of a given order fix the same number of vertices. Furthermore, since all of the non-trivial elements of G have prime order, all of the elements in a given cyclic subgroup fix the same vertices.*

Let H be isomorphic to S_4 and suppose that H acts faithfully on Γ . Then all elements of H of order 3 fix the same number of vertices, and all elements of H of order 4 fix the same number of vertices. All involutions of H which are in $G \cong A_4$ fix the same number of vertices, and all involutions of H which are not in G fix the same number of vertices.

The following result allows us to assume that the topological symmetry group is induced by elements of $\text{SO}(4)$ – namely, rotations and glide rotations. It follows from [8], together with the recent proof of the Geometrization Theorem [12].

ISOMETRY THEOREM ([8]). *Let Γ be an embedded 3-connected graph, and let $H = \text{TSG}_+(\Gamma)$. Then Γ can be re-embedded as Γ' such that $H \leq \text{TSG}_+(\Gamma')$ and $\text{TSG}_+(\Gamma')$ is induced by an isomorphic subgroup of $\text{SO}(4)$.*

From the Isometry Theorem, we may assume that the elements of the topological symmetry group are induced by rotations (with fixed point set a geodesic circle) and glide rotations (with no fixed points). The fixed point sets of two rotations are hence either disjoint, intersect in exactly two points, or are identical.

We now look specifically at complete bipartite graphs $K_{n,n}$. Recall that the graph $K_{n,n}$ consists of two vertex sets V and W , each containing n vertices, such that every vertex in V is adjacent to every vertex in W ; but no two vertices of V are adjacent, and no two vertices of W are adjacent. The following observation describes the automorphisms of a complete bipartite graph $K_{n,n}$.

FACT 1. *Let V and W be the vertex sets of $K_{n,n}$, and let $\phi : V \cup W \rightarrow V \cup W$ be a permutation of the vertices. Then ϕ is an automorphism of the graph if and only if either $\phi(V) = V$ or $\phi(V) = W$.*

The next theorem classifies the automorphisms of $K_{n,n}$ that can be induced by orientation-preserving homeomorphisms of S^3 .

AUTOMORPHISM THEOREM ([4]). *Let $n > 2$ and let ϕ be an order r automorphism of a complete bipartite graph $K_{n,n}$ with vertex sets V and W . There is an embedding Γ of $K_{n,n}$ in S^3 with an orientation preserving homeomorphism h of (S^3, Γ) inducing ϕ if and only if all vertices are in r -cycles except for the fixed vertices and exceptional cycles explicitly mentioned below (up to interchanging V and W):*

- (1) *There are no fixed vertices or exceptional cycles.*
- (2) *V contains mr fixed vertices for some positive integer m , and W contains no fixed vertices.*
- (3) *V and W each contain 1 fixed vertex or each contain 2 fixed vertices.*
- (4) *$j|r$ and V contains some j -cycles.*
- (5) *$r = \text{lcm}(j, k)$, and V contains some j -cycles and k -cycles.*
- (6) *$r = \text{lcm}(j, k)$, and V contains some j -cycles and W contains some k -cycles.*
- (7) *V and W each contain one 2-cycle.*
- (8) *$\frac{r}{2}$ is odd, V and W each contain one 2-cycle, and V contains some $\frac{r}{2}$ -cycles.*
- (9) *$\phi(V) = W$ and $V \cup W$ contains one 4-cycle.*

The following lemmas will place further restrictions on the automorphisms which are contained in a polyhedral subgroup.

LEMMA 1. *Let Γ be an embedding of $K_{n,n}$ such that $G \leq \text{TSG}_+(\Gamma)$, where G is isomorphic to A_4 or A_5 . Then every element of G fixes V (and hence W) setwise.*

PROOF. By Fact 1, any element of odd order must fix V setwise. The only elements of G of even order are involutions of order 2. Recall that $A_4 = \langle \phi, g : \phi^2 = g^3 = (\phi g)^3 = 1 \rangle$

and $A_5 = \langle \phi, g : \phi^2 = g^3 = (\phi g)^5 = 1 \rangle$. So if $\phi \in G$ is an involution, then there is an element $g \in G$ of order 3 such that ϕg has odd order. So $g(V) = V$ and $\phi g(V) = V$. Hence $\phi(V) = \phi(g(V)) = V$. So the involutions also fix V setwise. \square

LEMMA 2. *Let $G \leq \text{Aut}(K_{n,n})$ which is isomorphic to A_4 . Suppose there is an embedding Γ of $K_{n,n}$ in S^3 such that G is induced on Γ by an isomorphic subgroup $\widehat{G} \leq \text{SO}(4)$. Then an order 2 element of G cannot fix exactly one vertex of V .*

PROOF. Suppose there is an involution in G which fixes exactly one vertex of V . Then by the Automorphism Theorem, the involution also fixes one vertex of W , and hence the edge between them. Since every element of A_4 fixes V and W setwise, the Fixed Vertex Property implies all involutions in A_4 fix the same number of vertices in V and W , so each involution fixes exactly one edge and hence is induced by a rotation in \widehat{G} . Two distinct involutions can't fix the same edge (or they would correspond to the same rotation in \widehat{G}), so there are three edges $e_1 = \overline{v_1 w_1}$, $e_2 = \overline{v_2 w_2}$, $e_3 = \overline{v_3 w_3}$, each fixed pointwise by one involution. Say that ϕ_i is the involution fixing e_i pointwise. The involutions ϕ_i all commute in A_4 , so $\phi_i(\phi_j(v_i)) = \phi_j(\phi_i(v_i)) = \phi_j(v_i)$. So $\phi_j(v_i)$ is fixed by ϕ_i . But $\phi_j(v_i) \in V$ by Lemma 1, and ϕ_i only fixes one vertex in V , so $\phi_j(v_i) = v_i$. Therefore, the three edges e_1, e_2, e_3 are all fixed pointwise by all three involutions. This means the involutions are not distinct, which is a contradiction. \square

LEMMA 3. *Let $G \leq \text{Aut}(K_{n,n})$ which is isomorphic to $D_2 \cong \mathbf{Z}_2 \times \mathbf{Z}_2$. Suppose there is an embedding Γ of $K_{n,n}$ in S^3 such that G is induced on Γ by an isomorphic subgroup $\widehat{G} \leq \text{SO}(4)$. Assume the involutions of G each fix exactly two vertices of V and two vertices of W . Then the axes of the corresponding involutions in \widehat{G} are concurrent at two points in V (or two points in W).*

PROOF. Let ϕ_i , $1 \leq i \leq 3$, denote the three involutions in G , and let $\widehat{\phi}_i$ denote the element of \widehat{G} inducing ϕ_i . Each involution fixes 2 vertices in each of V and W , and hence fixes four edges. Say that ϕ_i fixes $\{v_i, v'_i, w_i, w'_i\}$. Since the involutions commute in D_2 , each involution fixes the fixed point set of the others (setwise); also, by Fact 1, they fix V and W setwise. So $\phi_j(v_i)$ is either v_i or v'_i . Note that ϕ_j cannot fix both v_i and w_i , since distinct involutions cannot fix the same edge (or they would correspond to the same rotation in \widehat{G}).

For the sake of contradiction, assume ϕ_2 fixes neither v_1 nor w_1 . So $\phi_2(v_1) = v'_1$ and $\phi_2(w_1) = w'_1$. Then the fixed point sets of $\widehat{\phi}_1$ and $\widehat{\phi}_2$ do not meet in any vertices of the graph. But, since each involution fixes a subgraph homeomorphic to S^1 , and edges of the embedding cannot intersect in their interiors, this means the fixed point sets of $\widehat{\phi}_1$ and $\widehat{\phi}_2$ are disjoint circles. Also, since the involutions commute, $\widehat{\phi}_1$ and $\widehat{\phi}_2$ each preserve both of these circles setwise, so the two circles are linked. Hence $\widehat{\phi}_3 = \widehat{\phi}_1 \widehat{\phi}_2$ is the composition of two rotations around linked circles which preserves both circles setwise, and is therefore a glide rotation. But this implies $\widehat{\phi}_3$ has no fixed point set, which is a contradiction.

So ϕ_2 must fix exactly one of v_1 and w_1 . Without loss of generality, say ϕ_2 fixes v_1 (and hence also v'_1). Then $\phi_3(v_1) = \phi_2\phi_1(v_1) = \phi_2(v_1) = v_1$, so ϕ_3 also fixes v_1 and v'_1 . This completes the proof. \square

REMARK: In the remainder of the paper we will assume the axes of involution are concurrent at two points of V , whenever we can do so without loss of generality.

LEMMA 4. *Let $G \leq \text{Aut}(K_{n,n})$ which is isomorphic to A_4 or A_5 . Suppose there is an embedding Γ of $K_{n,n}$ in S^3 such that G is induced on Γ by an isomorphic subgroup $\widehat{G} \leq \text{SO}(4)$. Assume the involutions of G each fix exactly two vertices of V and two vertices of W . Then there are at least two vertices in V (or two in W) that are fixed by every element of G .*

PROOF. By Lemma 3, there are two vertices fixed by all the involutions in G . Without loss of generality, say the vertices are $v, v' \in V$. Let g be an element of odd order, and ϕ be an involution; then $g^{-1}\phi g$ is also an involution. Hence $g^{-1}\phi g(v) = v$, so $\phi(g(v)) = g(v)$. By Lemma 1, $g(v) \in V$, so $g(v) \in \{v, v'\}$. Since g has odd order, this means g fixes v and v' pointwise. Hence v and v' are fixed by every element of G . \square

Burnside’s Lemma [1] is a powerful tool for determining the possible numbers of fixed points of an automorphism of $K_{n,n}$. Suppose that G is a group acting faithfully on a graph γ , and let U be a set of vertices preserved (setwise) by G . Let $|\text{fix}(g|U)|$ denote the number of vertices of U which are fixed by $g \in G$. Burnside’s Lemma gives us the following equation:

$$\# \text{ vertex orbits} = \frac{1}{|G|} \sum_{g \in G} |\text{fix}(g|U)|$$

The power of this equation lies in knowing that the left hand side must be an integer. Say that $G = \text{TSG}_+(G)$ is isomorphic to A_4 or A_5 . The Fixed Vertex Property and Lemma 1 imply that all elements of G of the same order fix the same number of elements of V and W . We will let n_i^v and n_i^w denote the number of vertices fixed in each set by the elements of order i in A_4, S_4 and A_5 , with the exception that in S_4, n_2^v and n_2^w denote the number of vertices fixed by the involutions in $A_4 \leq S_4$, and we let m_2^v and m_2^w denote the number of vertices fixed by the involutions in $S_4 - A_4$.

We will first apply Burnside’s Lemma to the action of a group isomorphic to A_4 on the vertex set V of the graph $K_{n,n}$. In this case, the equation becomes:

$$\# \text{ vertex orbits} = \frac{1}{12}(n + 3n_2^v + 8n_3^v) \in \mathbf{Z}$$

The first term on the right comes from the identity, which fixes all n vertices of V .

LEMMA 5. *Let $G \leq \text{Aut}(K_{n,n})$ which is isomorphic to A_4 . Suppose there is an embedding Γ of $K_{n,n}$ in S^3 such that G is induced on Γ by an isomorphic subgroup $\widehat{G} \leq \text{SO}(4)$. If $n_2^w = 0$, then $4|n_2^v$.*

PROOF. By the Automorphism Theorem, if $n_2^w = 0$, then $n_2^v = 2m$ for some integer m . Then the total number of vertices fixed by an involution is $n_2 = n_2^v + n_2^w = 2m$. Similarly, we let $n_3 = n_3^v + n_3^w$ denote the total number of vertices fixed by an element of order 3. Applying Burnside's Lemma to both the action of G on V and the action of G on $V \cup W$, we find that $\frac{1}{12}(n + 3(2m) + 8n_3^v) \in \mathbf{Z}$ and $\frac{1}{12}(2n + 3(2m) + 8n_3) \in \mathbf{Z}$. Hence 12 must divide $2(n + 6m + 8n_3^v) - (2n + 6m + 8n_3) = 6m + 8(2n_3^v - n_3)$. But, by the Automorphism Theorem, either $2n_3^v = n_3$ or $n_3^v = n_3 = 3k$. In either case, 3 divides $2n_3^v - n_3$, and hence 12 divides $8(2n_3^v - n_3)$. Therefore, 12 divides $6m$, so m must be even. So $n_2^v = 4l$ for some integer l . \square

THEOREM 1. *If a complete bipartite graph $K_{n,n}$ has an embedding Γ in S^3 such that $A_4 \leq \text{TSG}_+(\Gamma)$, then $n \equiv 0, 2, 4, 6, 8 \pmod{12}$ and $n \geq 4$.*

PROOF. Let $G \leq \text{TSG}_+(\Gamma)$ such that $G \cong A_4$. By the Isometry Theorem, there is a re-embedding Δ of $K_{n,n}$ such that G is induced on Δ by an isomorphic subgroup $\widehat{G} \leq \text{SO}(4)$. Applying Burnside's Lemma to the action of G on the set V (which is setwise fixed by Lemma 1), we find that $\frac{1}{12}(n + 3n_2^v + 8n_3^v) \in \mathbf{Z}$. So, given values of n_2^v and n_3^v , we can determine n , modulo 12.

By the Automorphism Theorem, either $n_2^v = n_2^w = 1$ or 2, or $n_2^v = 2m$ and $n_2^w = 0$. Similarly, either $n_3^v = n_3^w = 1$ or 2, or $n_3^v = 3k$ and $n_3^w = 0$. By Lemma 2 we know that $n_2^v \neq 1$, and by Lemma 4 we know that if $n_2^v = n_2^w = 2$, then $n_3^v \neq 1$. By Lemma 5, we know if $n_2^w = 0$ then $n_2^v = 4l$ for some integer l .

The possible cases are summarized in the table below, along with the resulting value of n (in the first two rows, $n_2^w = 2$; in the last three $n_2^w = 0$).

n_2^v	n_3^v	$n \pmod{12}$
2	2	2
2	$3k$	6
$4l$	1	4
$4l$	2	8
$4l$	$3k$	0

We conclude that $n \equiv 0, 2, 4, 6, 8 \pmod{12}$. Finally, $n \geq 4$ since A_4 is not a subgroup of $\text{Aut}(K_{n,n})$ for $n < 4$. \square

The restrictions in Theorem 1 hold whenever the topological symmetry group contains a subgroup isomorphic to A_4 , S_4 or A_5 . However, if it contains a subgroup isomorphic to S_4 or A_5 , we can find additional restrictions. We first look at S_4 .

LEMMA 6. *Let $G \leq \text{Aut}(K_{n,n})$ which is isomorphic to S_4 , and let $H \leq G$ be the subgroup isomorphic to A_4 . Suppose there is an embedding Γ of $K_{n,n}$ in S^3 such that G is induced on Γ by an isomorphic subgroup $\widehat{G} \leq \text{SO}(4)$. Assume the involutions of H each fix exactly two vertices of V and two vertices of W . Then the action of G fixes V and W setwise.*

PROOF. By Lemma 3, the axes of rotation for all three involutions in \widehat{H} meet in two points v, v' . Let $g \in G$, and ϕ be an involution in H . Then $g^{-1}\phi g$ is also an involution in H , so $g^{-1}\phi g(v) = v$. Hence $\phi(g(v)) = g(v)$, so $g(v)$ is one of the four vertices fixed by ϕ . Since this is true for any involution in H , $g(v)$ must be fixed by all three involutions, and hence $g(v) \in \{v, v'\}$. This means g does not interchange V and W , so by Fact 1 it fixes V and W setwise. \square

LEMMA 7. *Let $G \leq \text{Aut}(K_{n,n})$ which is isomorphic to S_4 , and let $H \leq G$ be the subgroup isomorphic to A_4 . Then there does not exist an embedding Γ of $K_{6,6}$ in S^3 such that G is induced on Γ by an isomorphic subgroup $\widehat{G} \leq \text{SO}(4)$.*

PROOF. Assume, towards contradiction, that there is such an embedding of $K_{6,6}$. From the proof of Theorem 1, we know that $n_2^v = n_2^w = 2$, $n_3^v = 3k$ and $n_3^w = 0$. From Lemma 4, we know there are vertices v and v' which are fixed by the action of H , so $k \geq 1$. Hence the elements of \widehat{G} of order 3 are rotations whose axes each contain either 3 or 6 vertices of V . Since two such axes can intersect in at most 2 points, and they all contain v and v' , none of them can contain all 6 vertices of V . So each axis of order 3 contains 3 vertices of V , and $k = 1$. Moreover, each vertex of V (other than v and v') lies on exactly one axis of order 3.

By Lemma 6, the action of G fixes V and W setwise; the Automorphism Theorem then implies that either $n_4^v = n_4^w = 2$, or $n_4^v = n_4^w = 0$ and the elements of order four induce a 2-cycle in each of V and W . We will consider each of these two cases.

CASE 1: We first assume $n_4^v = n_4^w = 2$. If $g \in \widehat{G}$ has order 4, this means g is a rotation. Moreover, g^2 is an involution in \widehat{H} , so v and v' lie on the axis of this rotation; hence g also fixes v and v' . Since G is generated by the elements of orders 3 and 4, this implies v and v' are fixed by all of G .

Applying Burnside's Lemma to the action of G on V we have:

$$\begin{aligned} \# \text{ of vertex orbits} &= \frac{1}{24}(6 + 3n_2^v + 8n_3^v + 6m_2^v + 6n_4^v) \\ &= \frac{1}{24}(6 + 3(2) + 8(3) + 6m_2^v + 6(2)) = \frac{1}{24}(48 + 6m_2^v) = 2 + \frac{m_2^v}{4} \in \mathbf{Z} \end{aligned}$$

Hence $4|m_2^v$. Since we know that $2 \leq m_2^v \leq 6$, this means $m_2^v = 4$. Let ψ be an involution in $G - H$, so ψ fixes 4 vertices of V , including v and v' . Then ψ is a rotation, with 4 vertices of V on its axis of rotation. There are 6 such involutions, but only 4 vertices of V other than v and v' . So at least two of these involutions must fix at least three vertices of V in common. This means that two of these involutions have the same axis of rotation, which is a contradiction.

CASE 2: Now assume that $n_4^v = n_4^w = 0$. Applying Burnside's Lemma to the action of G on V we have:

$$\# \text{ of vertex orbits} = \frac{1}{24}(6 + 3(2) + 8(3) + 6m_2^v + 6(0))$$

$$= \frac{1}{24}(36 + 6m_2^v) = \frac{3}{2} + \frac{m_2^v}{4} \in \mathbf{Z}$$

Hence $m_2^v \equiv 2 \pmod{4}$, which means $m_2^v = 2$ or 6 . If $m_2^v = 6$, the axis of an involution in $\widehat{G} - \widehat{H}$ will intersect the axis of each rotation of order 3 in three points, which is impossible. So $m_2^v = 2$; similarly, $m_2^w = 2$. Let ψ be an involution in $G - H$, induced by $\widehat{\psi}$ in $\widehat{G} - \widehat{H}$. Then the axis of rotation of $\widehat{\psi}$ contains two vertices of V and W , and hence is the 4-cycle determined by these vertices. There is an element $g \in H$ of order 3 such that ψg has order 4. So ψg does not fix any vertices; since g fixes v and v' , this means ψ does *not* fix either v or v' . So ψ must fix two other vertices in V . Each of these vertices lies on an axis of rotation of order 3; since two distinct axes must intersect in either 0 or 2 points, the axis of $\widehat{\psi}$ must intersect the axis of rotation of order 3 in another point. This point of intersection cannot be in the interior of an edge, or the action of the rotation of order 3 on that edge would create three edges meeting at that interior point, and we would not have an embedding. It cannot be at a vertex of W , since $n_3^w = 0$. So both the vertices of V fixed by ψ must lie on the same axis of order 3. But then this axis contains 4 vertices of V : v, v' , and the two vertices shared with ψ . This is again a contradiction.

Therefore, there is no embedding Γ of $K_{6,6}$ in S^3 such that G is induced on Γ by an isomorphic subgroup $\widehat{G} \leq \text{SO}(4)$. \square

We now consider the additional restrictions that arise when the topological symmetry group has a subgroup isomorphic to A_5 . We first describe the subgroups of $\text{SO}(4)$ isomorphic to A_4 or A_5 , from Du Val's classification of the subgroups of $\text{SO}(4)$ [3].

FACT 2 ([3]). *The subgroups of $\text{SO}(4)$ isomorphic to A_4 and A_5 can be described as follows:*

- *The only subgroup of $\text{SO}(4)$ isomorphic to A_4 is the group of symmetries of a solid regular tetrahedron (so all motions are rotations).*
- *The only subgroups of $\text{SO}(4)$ isomorphic to A_5 are the group of symmetries of a solid regular dodecahedron (in which all motions are rotations) and the group of symmetries of the 1-skeleton of a regular 4-simplex (in which the elements of order 5 are glide rotations, and the other elements are rotations).*

In particular, in any group of motions isomorphic to A_4 or A_5 , the elements of orders 2 and 3 are always rotations. We will also use the following observation about the sizes of the orbits of points of S^3 under the action of the group of symmetries of a solid regular dodecahedron.

FACT 3. *If a group $G \cong A_5$ acts on S^3 as the group of symmetries of a solid regular dodecahedron, then every point p in S^3 has an orbit of size 60 if p is not fixed by any element of G , 30 if p is fixed by an element of order 2, 20 if p is fixed by an element of order 3, 12 if p is fixed by an element of order 5, or 1 if p is fixed by rotations with distinct axes, in which case it is at the center of the dodecahedron or the center of its complement.*

We apply these facts to obtain restrictions on when $\text{TSG}_+(\Gamma) \cong A_5$ for an embedding Γ of a complete bipartite graph.

LEMMA 8. *Let $G \leq \text{Aut}(K_{n,n})$ which is isomorphic to A_5 . Suppose there is an embedding Γ of $K_{n,n}$ in S^3 such that G is induced on Γ by an isomorphic subgroup $\widehat{G} \leq \text{SO}(4)$. Then an element of G cannot fix exactly one vertex of V .*

PROOF. By Lemma 2, no element of G of order 2 can fix exactly one vertex (since any element of order 2 is also an element of a subgroup of G isomorphic to A_4).

By Fact 2, \widehat{G} is either the group of symmetries of a regular solid dodecahedron, or the group of symmetries of a regular 4-simplex. We will first consider the case when \widehat{G} is the group of symmetries of a dodecahedron. Assume that an element of G of odd order r (r is 3 or 5) fixes exactly one vertex of V . By the Fixed Vertex Property, every element of order r will fix exactly one vertex of V . By the Automorphism Theorem, the elements of order r also fix exactly one vertex of W . Let A be an axis of rotation of order r , containing vertices $v \in V$ and $w \in W$. Since every axis of rotation of order 3 or 5 in a regular dodecahedron is perpendicular to an axis of rotation of order 2, A is inverted by an element ϕ of order 2. Since the action of G fixes V and W setwise, by Lemma 1, ϕ must fix v and w , so these vertices must be at the center of the dodecahedron and the center of its complement. But then all the rotations of order r fix v and w , and hence the edge between them. Therefore all rotations of order r share the same axis of rotation, which contradicts the assumption that \widehat{G} is the group of symmetries of a solid regular dodecahedron. So an element of odd order cannot fix exactly one vertex of V .

We now consider the case when \widehat{G} is the group of symmetries of a regular 4-simplex. Then elements of \widehat{G} of order 5 are glide rotations which have no fixed points. It only remains to consider elements of order 3.

Assume an element of G of order 3 fixes exactly one vertex of V , and so (as above) every element of order 3 fixes exactly one vertex of V and one vertex of W . By Lemmas 2 and 4, the involutions of G cannot fix one or two vertices of each of V and W . So, by the Automorphism Theorem and Lemma 5, each involution fixes $4l$ vertices in V and none in W , where $l \in \mathbf{Z}$. Then, if we apply Burnside's Lemma to the action of G on W we find the number of vertex orbits is $\frac{1}{60}(n + 15(0) + 20(1) + 24(0)) = \frac{1}{60}(n + 20)$. For this to be an integer, we must have $n = 60k + 40$ for some integer k , and there are $k + 1$ orbits. Since each orbit has size at most 60, there must be k orbits of size 60 and one orbit of size 40. But this is impossible, since 40 is not a factor of 60.

Therefore, the elements of order 3 in G cannot fix exactly one vertex in V . □

THEOREM 2. *If a complete bipartite graph $K_{n,n}$ has an embedding Γ in S^3 such that $A_5 \leq \text{TSG}_+(\Gamma)$, then $n \equiv 0, 2, 12, 20, 30, 32, 42, 50 \pmod{60}$.*

PROOF. Let $G \leq \text{TSG}_+(\Gamma)$ such that $G \cong A_5$. By the Isometry Theorem, there is a re-embedding Δ of $K_{n,n}$ such that G is induced on Δ by an isomorphic subgroup $\widehat{G} \leq \text{SO}(4)$.

Recall that n_i^v and n_i^w denote the number of vertices in V and W fixed by the elements of G of order i . Applying Burnside’s Lemma to the action of G on the set V (which is fixed setwise by Lemma 1), we find that $\frac{1}{60}(n + 15n_2^v + 20n_3^v + 24n_5^v) \in \mathbf{Z}$. So, given values of n_2^v, n_3^v and n_5^v , we can determine n , modulo 60.

From the Automorphism Theorem and Lemma 5, we know that $n_2^v = 1, 2$ or $4l$; $n_3^v = 1, 2$ or $3k$; and $n_5^v = 1, 2$ or $5m$. By Lemma 8, $n_2^v \neq 1, n_3^v \neq 1$, and $n_5^v \neq 1$. The table below summarizes the remaining possibilities, and gives the value of $n \pmod{60}$ in each case.

n_2^v	n_3^v	n_5^v	$n \pmod{60}$
2	2	2	2
2	2	$5m$	50
2	$3k$	2	42
2	$3k$	$5m$	30
$4l$	2	2	32
$4l$	2	$5m$	20
$4l$	$3k$	2	12
$4l$	$3k$	$5m$	0

□

We will now show that, in addition to Theorem 2, we also need to require that n is larger than 30.

LEMMA 9. *Let $G \leq \text{Aut}(K_{n,n})$ which is isomorphic to A_5 . Suppose there is an embedding Γ of $K_{n,n}$ in S^3 such that G is induced on Γ by an isomorphic subgroup $\widehat{G} \leq \text{SO}(4)$. If either every element of G of order 3 fixes two vertices of V and two vertices of W , or every element of G of order 5 fixes two vertices of V and two vertices of W , then there are two vertices in V (or two in W) which are fixed by every element of G .*

PROOF. We first assume that every element of G of order 5 fixes two vertices of V and two vertices of W . Since the elements of order 5 have non-empty fixed point sets, they are all induced by rotations, and hence \widehat{G} is the group of symmetries of a regular solid dodecahedron, by Fact 2. This means all the axes of rotation intersect in two points. Since each rotation of order 5 fixes two vertices from each of V and W , it fixes a subgraph of Γ isomorphic to $K_{2,2}$, which is homeomorphic to S^1 , so the embedded subgraph is the axis of rotation. Edges of Γ may not intersect, so these axes must all intersect at two vertices. The two vertices must both be in V (without loss of generality), or all the elements of order 5 would fix a common edge, and hence not have distinct axes. The two vertices are at the center of the solid dodecahedron, and the center of its complement, so they are fixed by every element of G .

Now assume that every element of G of order 3 fixes two vertices of V and two vertices of W . By Fact 2, each subgroup of G isomorphic to A_4 is the group of symmetries of a regular solid tetrahedron. This means all the axes of rotation in one such subgroup intersect in two

points. As in the previous paragraph, there are two vertices of V (or two of W) fixed by every element of each subgroup.

We still need to show that different subgroups will fix the same pair of vertices. Let S_1, S_2 and S_3 denote three of the five subgroups of G isomorphic to A_4 . For each pair i, j , there is an element γ_{ij} of order 3 such that $\gamma_{ij} \in S_i \cap S_j$; by our hypothesis, γ_{ij} fixes two vertices in each of V and W . Assume S_1 and S_2 do not fix the same pair of vertices. If the pairs are not disjoint, then they must all be in V (or all in W), and γ_{12} will fix three points in V (or in W), which contradicts our hypothesis. Hence the pairs of vertices are disjoint, and γ_{12} must fix both pairs of vertices. So one pair of vertices must be in V and the other in W . Say that S_1 fixes v and v' and S_2 fixes w and w' . So γ_{13} fixes v and v' , and γ_{23} fixes w and w' . But then S_3 must fix one of these pairs; without loss of generality, S_3 fixes v and v' , so γ_{23} fixes v and v' . This means that γ_{12} and γ_{23} fix the same $K_{2,2}$ subgraph, and hence share the same axis, which is impossible, because no element of A_5 of order 3 is in three distinct subgroups isomorphic to A_4 .

So all the subgroups must fix the same pair of vertices, both in V or both in W . Since these subgroups generate A_5 , this means these two vertices are fixed by every element of G . □

LEMMA 10. *If a complete bipartite graph $K_{n,n}$ has an embedding Γ in S^3 such that $A_5 \leq \text{TSG}_+(\Gamma)$, then $n > 30$.*

PROOF. Let $G \leq \text{TSG}_+(\Gamma)$ such that $G \cong A_5$. By the Isometry Theorem, there is a re-embedding Δ of $K_{n,n}$ such that G is induced on Δ by an isomorphic subgroup $\widehat{G} \leq \text{SO}(4)$. From Theorem 2, the only possibilities with $n \leq 30$ are $n = 2, 12, 20, 30$. The automorphism group of $K_{2,2}$ is isomorphic to D_4 , which does not have a subgroup isomorphic to A_5 , so $n \neq 2$.

Assume $n = 12$. Then, from Theorem 2, $n_5^v = n_5^w = 2, n_3^v = 3k, n_3^w = 0, n_2^v = 4l$ and $n_2^w = 0$. Fact 2 implies that \widehat{G} is the group of symmetries of a dodecahedron, and Lemma 9 implies there are two vertices in V which are fixed by every element of G . These two vertices each have an orbit of size 1, and lie at the center of the dodecahedron and the center of its complement. By Fact 3, all other points of S^3 have at least 12 points in their orbit under the action of \widehat{G} , but there are only 10 remaining vertices. So $n \neq 12$.

Now assume $n = 20$. Then, from Theorem 2, $n_3^v = n_3^w = 2, n_5^v = 5m$ and $n_2^v = 4l$. By Lemma 9, this means there are two vertices in V which are fixed by every element of G . Therefore, the elements of \widehat{G} are all rotations, which means \widehat{G} is the group of symmetries of a dodecahedron. So these two vertices each have an orbit of size 1, and lie at the center of the dodecahedron and the center of its complement. By Fact 3, the remaining 18 vertices must be divided into orbits of sizes 12, 20, 30 or 60, which is impossible. Hence $n \neq 20$.

Finally, we assume $n = 30$. Then, from Theorem 2, $n_2^v = n_2^w = 2, n_3^v = 3k, n_3^w = 0, n_5^v = 5m$ and $n_5^w = 0$. If $m \neq 0$, then the elements of order 5 are rotations, and \widehat{G} induces the group of rotations of a regular solid dodecahedron by Fact 2. Then the involutions are

each rotations with two vertices from V and two vertices from W on the axis of rotation; therefore, the entire axis is a subgraph of Γ isomorphic to $K_{2,2}$. Since edges of Γ can only meet at vertices, and the axes of all the involutions meet at the center of the dodecahedron and the center of its complement, there must be vertices of Γ at these two points. Since $n_3^w = n_5^w = 0$, they are both vertices of V , and these two points each have an orbit of size 1. By Fact 3 the remaining 28 vertices of V must be partitioned into orbits of size 12, 20, 30 or 60, which is impossible. Therefore, we must have $m = 0$, and by Fact 2, \widehat{G} induces the rotations of the 1-skeleton of a regular 4-simplex in S^3 .

If the vertices of the 4-simplex are denoted 1, 2, 3, 4 and 5, then each element of \widehat{G} can be represented as an (even) permutation of these points. Consider the involution (12)(34)(5) (written in cycle notation). The axis of rotation for this involution intersects the axes for (13)(24)(5) and (14)(23)(5) at the center of a regular tetrahedron (one of the 3-dimensional “faces” of the 4-simplex) and the center of its complement. It also intersects the axes for (12)(35)(4) and (12)(45)(3) at the midpoint of the edge $\overline{12}$ and the axes for (34)(15)(2) and (34)(25)(1) at the midpoint of $\overline{34}$. Since each axis for an involution is a subgraph of Γ , each of the points of intersection must be a vertex of Γ . Since the rotations of order 3 fix vertices of V and none of W , then the points at the center of the tetrahedron and its complement are in V and the points at the midpoints of the edges are in W . The points at the midpoints of the edges have an orbit of size 10 under the action of \widehat{G} (since the 4-simplex has 10 edges), so the vertices of W are partitioned into at least two orbits.

However, by Burnside’s Lemma, the number of vertex orbits of W is $\frac{1}{60}(30 + 15(2) + 20(0) + 24(0)) = 1$. This contradiction means that n cannot be equal to 30. \square

3. Embeddings with $\text{TSG}_+(\Gamma) \cong S_4$

Since $A_4 \leq S_4$, Theorem 1 tells us that if $K_{n,n}$ has an embedding Γ with $\text{TSG}_+(\Gamma) \cong S_4$, then $n \equiv 0, 2, 4, 6$ or $8 \pmod{12}$. We can also restrict ourselves to $n \geq 4$, since otherwise the automorphism group of $K_{n,n}$ does not contain a subgroup isomorphic to S_4 ; and we know $n \neq 6$, by Lemma 7. For each of these values of n , we will construct embeddings of $K_{n,n}$ whose topological symmetry group is isomorphic to S_4 . These constructions will make use of tools developed by Flapan, Naimi and the author in [5] and [6]:

EDGE EMBEDDING LEMMA ([6]). *Let G be a finite subgroup of $\text{Diff}_+(S^3)$, and let γ be a graph whose vertices are embedded in S^3 as a set V which is invariant under G such that G induces a faithful action on γ . Suppose that adjacent pairs of vertices in V satisfy the following conditions:*

- (1) *If a pair is pointwise fixed by non-trivial elements $h, g \in G$, then $\text{fix}(h) = \text{fix}(g)$.*
- (2) *For each pair $\{v, w\}$ in the fixed point set C of some non-trivial element of G , there is an arc $A_{vw} \subseteq C$ bounded by $\{v, w\}$ whose interior is disjoint from V and from any other such arc $A_{v'w'}$.*

- (3) If a point in the interior of some A_{vw} or a pair $\{v, w\}$ bounding some A_{vw} is setwise invariant under an $f \in G$, then $f(A_{vw}) = A_{vw}$.
- (4) If a pair is interchanged by some $g \in G$, then the subgraph of γ whose vertices are pointwise fixed by g can be embedded in a proper subset of a circle.
- (5) If a pair is interchanged by some $g \in G$, then $\text{fix}(g)$ is non-empty, and $\text{fix}(h) \neq \text{fix}(g)$ if $h \neq g$.

Then there is an embedding of the edges of γ in S^3 such that the resulting embedding of γ is setwise invariant under G .

SUBGROUP THEOREM. *Let Γ be an embedding of a 3-connected graph in S^3 , and let $H \leq \text{TSG}_+(\Gamma)$. Let T be a non-empty set of edges in Γ which is setwise invariant under H and let $e \in T$. Suppose that for any $\phi \in \text{TSG}_+(\Gamma)$ which pointwise fixes e and setwise fixes the H -orbit of each edge in T , one of the following holds:*

- (1) [5] ϕ also pointwise fixes a subgraph of Γ that cannot be embedded in S^1 , or
- (2) there is a $\psi \in \text{TSG}_+(\Gamma)$ such that $\text{fix}(\phi) \cap \text{fix}(\psi)$ contains a pair of adjacent vertices but $\text{fix}(\phi) \neq \text{fix}(\psi)$.

Then there is an embedding Γ' of Γ with $H = \text{TSG}_+(\Gamma')$. Moreover, the embeddings Γ and Γ' agree on the vertices of the graph.

The proof of the Subgroup Theorem when the first condition holds was given in [5]. The proof when the second condition holds is very similar, and relies on the fact that the axes of two non-trivial rotations in a finite subgroup of $\text{SO}(4)$ are either the same, disjoint, or intersect in exactly two points. In particular, the axes cannot intersect in only an arc. We leave the details to the reader.

We will construct our embeddings by first embedding the vertices of $K_{n,n}$ so that there is a faithful action of S_4 on the vertices which satisfies the conditions of the Edge Embedding Lemma. The Edge Embedding Lemma then allows us to embed the edges of the graph. Finally, we use the Subgroup Theorem to show that the graph can be re-embedded so that the topological symmetry group is isomorphic to S_4 . In our initial embeddings of the vertices, we will use two different groups of isometries of S^3 which are isomorphic to S_4 . Let G be the group of symmetries of a solid geodesic cube σ (see Figure 1), and let H be the group of symmetries of the 1-skeleton of a regular geodesic tetrahedron τ (see Figure 2). Also, let $E \leq G$ be the subgroup isomorphic to A_4 (so the involutions in E are the squares of the rotations in G of order 4) and $F \leq H$ be the subgroup isomorphic to A_4 (so F is the group of symmetries of the solid regular tetrahedron τ). We let s and s' denote the center of the cube σ and the center of its complement; and we let t and t' denote the center of the tetrahedron τ and the center of its complement.

PROPOSITION 1. *Let $n \equiv 0$ or $4 \pmod{12}$, and $n \geq 4$. Then $K_{n,n}$ has an embedding Γ with $S_4 \cong \text{TSG}_+(\Gamma)$.*

PROOF. We begin by constructing an embedding of $K_{12m,12m}$. Let B be a ball which is in the complement of the fixed point sets of the elements of H , such that B is disjoint from all

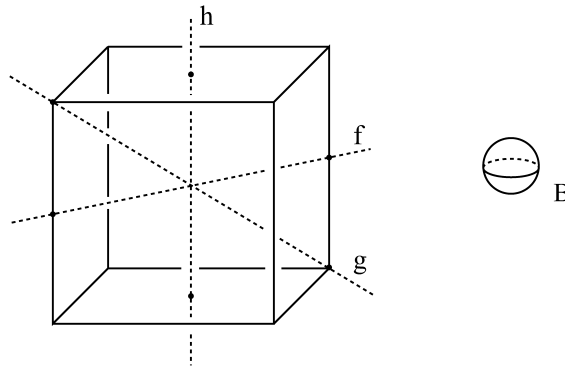


FIGURE 1. G is the group of symmetries of a solid cube. f , g , and h are representative rotations around the axes shown of orders 2, 3 and 4, respectively; f is a rotation of order 2 which is not the square of a rotation of order 4.

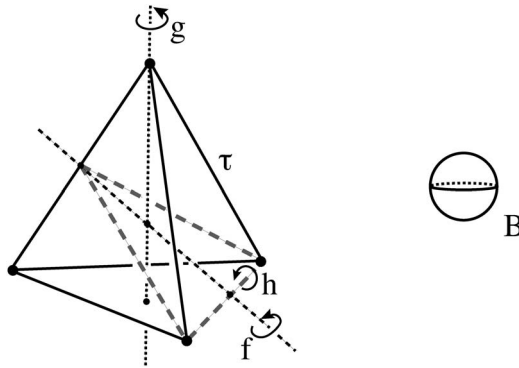


FIGURE 2. H leaves the 1-skeleton of a regular tetrahedron τ setwise invariant. g is a rotation of order 3, f is a rotation of order 2 in F , and h is a rotation of order 2 in $H - F$.

its images under the action of H (see Figure 2). Pick m points of B . The union of the orbits of these m points under the action of H contains $24m$ points. Embed m vertices of V at each of the m points in B , and embed the other vertices of V as the images of these points under the action of $F \leq H$; denote this set V_0 . This embeds the $12m$ points of V . Now embed the vertices of W as the other $12m$ points in the orbits; denote this set W_0 .

This gives an embedding of the vertices of $K_{12m,12m}$ upon which H acts faithfully. We check the conditions of the Edge Embedding Lemma. Since no vertices are fixed by any element of H , conditions (1), (2), (3) and (4) are trivially satisfied. The only elements of H which interchange two adjacent vertices are the involutions in $H - F$. These are each rotations with non-empty fixed point set, and no other element of H shares the same fixed point set

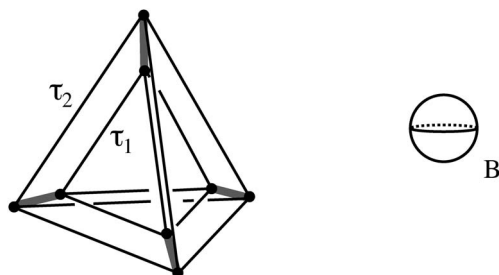


FIGURE 3. The points of V_4 are the vertices of τ_1 and the points of W_4 are the vertices of τ_2 . The arcs required by condition (2) are the gray arcs between corresponding vertices.

(since the squares of the order 4 elements of H are involutions in F). Hence condition (5) is satisfied. Therefore, there is an embedding Γ_0 with $S_4 \leq \text{TSG}_+(\Gamma_0)$.

Now we construct an embedding of $K_{12m+4, 12m+4}$. Consider two concentric geodesic tetrahedra τ_1 and τ_2 such that τ is between τ_1 and τ_2 , so that the elements of $F \leq H$ preserve τ_1 and τ_2 and the elements of $H - F$ interchange them. Let V_4 denote the four corners of τ_1 and W_4 denote the four corners of τ_2 . Embed the vertices of V as $V_0 \cup V_4$ and the vertices of W as $W_0 \cup W_4$. Then H acts faithfully on this embedding of $V \cup W$, and each element of H induces an automorphism of $K_{12m+4, 12m+4}$. Observe that each element of H of order 3 fixes one vertex from each of V and W , and no other element of H fixes any vertices (see Figure 3).

If a pair of adjacent vertices is fixed by $h_1, h_2 \in H$, then h_1 and h_2 are elements of order 3 with the same axis of rotation, so condition (1) of the Edge Embedding Lemma is satisfied. Only one pair is fixed on each axis of a rotation of order 3, and the vertices are connected by an arc which is disjoint from all other axes of rotation, so condition (2) is satisfied (see Figure 3). Any element which does not fix the arc pointwise sends it to a disjoint arc on a different axis of rotation, so condition (3) is satisfied. The only elements of H which interchange adjacent vertices are the involutions in $H - F$, which have no fixed vertices; so condition (4) is satisfied. Finally, these involutions have fixed point sets homeomorphic to the circle, which are distinct from the fixed point sets of the other elements of H , so condition (5) is satisfied. Therefore, there is an embedding Γ_4 with $S_4 \leq \text{TSG}_+(\Gamma_4)$.

Now we apply the Subgroup Theorem to the embeddings Γ_0 and Γ_4 . First assume $m > 0$. Let v be a vertex of V_0 , and let w_1, w_2, w_3 be vertices in W_0 . Let $e_i = \overline{vw_i}$, and let T be the union of the H -orbits of the e_i . Assume $\phi \in \text{TSG}_+(\Gamma_i)$ fixes e_1 pointwise, and fixes $\langle e_i \rangle_H$ setwise. So ϕ fixes v and w_1 . Since e_2 is the only edge in $\langle e_2 \rangle_H$ which is incident to v , ϕ also fixes e_2 pointwise, and hence fixes w_2 . Similarly, ϕ fixes w_3 . But then ϕ fixes a subgraph isomorphic to $K_{1,3}$, which cannot be embedded in a circle. So by the Subgroup Theorem, using the set T , there is an embedding Γ'_i with $S_4 \cong \text{TSG}_+(\Gamma'_i)$ (for $i = 0, 4$).

Finally, we consider Γ_4 when $m = 0$, so $n = 4$. Let v_1, v_2, v_3, v_4 be the vertices of V_4 ,

and let w_1, w_2, w_3, w_4 be the corresponding vertices of W_4 , so that v_i and w_i lie on the same axis of rotation of order 3. Now let $e_1 = \overline{v_1 w_1}$ and $e_2 = \overline{v_1 w_2}$, and let $T = \langle e_1 \rangle \cup \langle e_2 \rangle$. Every edge of the embedded graph is in either $\langle e_1 \rangle_H$ or $\langle e_2 \rangle_H$. Assume $\phi \in \text{TSG}_+(\Gamma_4)$ fixes e_2 pointwise and fixes $\langle e_i \rangle_H$ setwise. Then ϕ fixes both v_1 and w_2 . Since e_1 is the only edge in $\langle e_1 \rangle_H$ which is incident to v_1 , ϕ also fixes e_1 , and hence w_1 . Moreover, $\overline{v_2 w_2}$ is the only edge in $\langle e_1 \rangle_H$ which is incident to w_2 , so ϕ will also fix this edge, and hence fix v_2 . So ϕ fixes the 4-cycle $v_1 w_1 v_2 w_2$ pointwise. Let ψ be the element of order 3 in $\text{TSG}_+(\Gamma_4)$ which fixes v_1 and w_1 and permutes the other vertices cyclically. Then $\text{fix}(\phi) \cap \text{fix}(\psi)$ contains the adjacent pair $\{v_1, w_1\}$, but $\text{fix}(\phi) \neq \text{fix}(\psi)$. So by the Subgroup Theorem, using the set T , there is an embedding Γ'_4 with $S_4 \cong \text{TSG}_+(\Gamma'_4)$. \square

In the remaining cases, it will be easier to consider the values of n modulo 24.

PROPOSITION 2. *Let $n \equiv 2, 6, 8, 14, 18$ or $20 \pmod{24}$, $n \geq 4$ and $n \neq 6$. Then $K_{n,n}$ has an embedding Γ with $S_4 \cong \text{TSG}_+(\Gamma)$.*

PROOF. We will first describe how to embed the vertices of $K_{n,n}$ in each case. Then we will apply the Edge Embedding Lemma to embed the edges of the graph, and finally use the Subgroup Theorem to reduce the topological symmetry group to S_4 .

We begin by embedding the vertices of $K_{24m,24m}$. Let B be a ball which is in the complement of the fixed point sets of the elements of G , such that B is disjoint from all its images under the action of G (see Figure 1). Pick m points of B . The union of the orbits of these m points under the action of G contains $24m$ points; embed the vertices of V as these $24m$ points, and denote them V_0 . Similarly, pick another, disjoint, set of m points in B and embed the vertices of W as the orbits of these points, denoted W_0 . Then G acts faithfully on the set $V_0 \cup W_0$. Note that none of the points of $V_0 \cup W_0$ are fixed by any of the elements of G , and no element of G interchanges a vertex of V_0 with one of W_0 . We now consider each value of $n \pmod{24}$ in turn.

CASE 1: $n \equiv 2 \pmod{24}$

Since $n > 2$, we have $n = 24m + 26$. We will embed the vertices of $K_{24m+26,24m+26}$. Let V_2 consist of s and s' (the centers of σ and its complement), along with a point of B (not in $V_0 \cup W_0$) and its orbit under G , for a total of 26 points. Let W_2 be the 26 points at the corners, the centers of the faces, and the midpoints of the edges of σ . We embed V as $V_0 \cup V_2$ and W as $W_0 \cup W_2$. Observe that every element of G fixes two vertices of V and two of W , alternating along the axis of rotation.

CASE 2: $n \equiv 6 \pmod{24}$

Since $n \neq 6$, we have $n = 24m + 30$. We will embed the vertices of $K_{24m+30,24m+30}$. Consider three nested geodesic cubes σ, σ_1 and σ_2 , with σ being the middle cube; so all three cubes have center s . Let V_6 be the set of points containing s, s' , the 12 points at the midpoints of the edges of σ , and the 16 points at the corners of σ_1 and σ_2 . Embed V as the set of points $V_0 \cup V_6$. Let W_6 be the 6 points at the centers of the faces of σ , along with a point of B (not in $V_0 \cup W_0$) and its orbit under G , and embed W as $W_0 \cup W_6$ (see Figure 4). Observe that

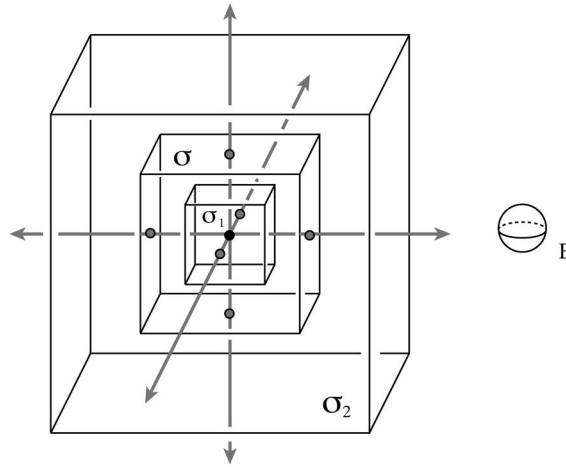


FIGURE 4. The points of V_6 are the center of the cube s (the black dot), the center of its complement s' , the midpoints of the edges of σ and the corners of σ_1 and σ_2 . The points of W_6 are the centers of the faces of σ (the gray dots), along with 24 points in the orbit of B . The arcs required by condition (2) of the Edge Embedding Lemma are the gray arcs between the centers of the faces of σ and the center of the cube and its complement.

each element of G of order 3 fixes 6 vertices of V ; each element of order 4 fixes two vertices of V and two of W , alternating on the axis of rotation; each involution of $E \leq G$ fixes two vertices of V and two of W , alternating on the axis of rotation; and each involution of $G - E$ fixes four vertices of V and none of W .

CASE 3: $n \equiv 8 \pmod{24}$

We will embed the vertices of $K_{24m+8, 24m+8}$. Let V_8 consist of s and s' together with the points at the centers of the faces of σ , and embed V as $V_0 \cup V_8$. Let W_8 be the 8 points at the corners of σ and embed W as $W_0 \cup W_8$ (see Figure 5). Observe that each element of G of order 3 fixes two vertices of V and two of W , alternating on the axis of rotation; each element of order 4 fixes four vertices of V and none of W ; each involution of $E \leq G$ fixes four vertices of V and none of W ; and each involution of $G - E$ fixes two vertices of V and none of W .

CASE 4: $n \equiv 14 \pmod{24}$

We will embed the vertices of $K_{24m+14, 24m+14}$. Let V_{14} consist of s, s' , and the midpoints of the edges of σ ; embed V as $V_0 \cup V_{14}$. Let W_{14} be the corners and the centers of the faces of σ and embed W as $W_0 \cup W_{14}$ (see Figure 6). Observe that each element of G of order 3 fixes two vertices of V and two of W , alternating on the axis of rotation; each element of order 4 fixes two vertices of V and two of W , alternating on the axis of rotation; each involution of $E \leq G$ fixes two vertices of V and two of W , alternating on the axis of rotation; and each

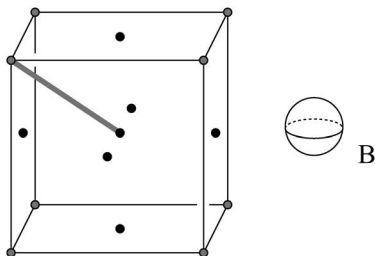


FIGURE 5. The points of V_8 are the black dots (and the point s') and the points of W_8 are the gray dots. The orbit of the gray line gives the arcs required by condition (2) of the Edge Embedding Lemma.

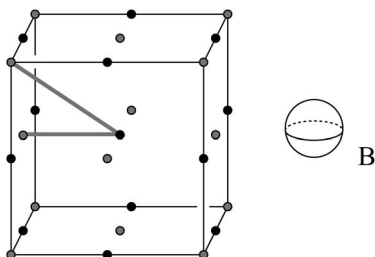


FIGURE 6. The points of V_{14} are the black dots (and the point s') and the points of W_{14} are the gray dots. The orbits of the gray lines give the arcs required by condition (2) of the Edge Embedding Lemma.

involution of $G - E$ fixes four vertices of V and none of W .

CASE 5: $n \equiv 18 \pmod{24}$

We will embed the vertices of $K_{24m+18, 24m+18}$. As for $K_{24m+30, 24m+30}$, consider three nested geodesic cubes σ, σ_1 and σ_2 with common center s , with σ being the middle cube (see Figure 4). Let V_{18} consist of s and s' , together with the corners of σ_1 and σ_2 . Embed V as $V_0 \cup V_{18}$. Let W_{18} be the midpoints of the edges and faces of σ ; embed W as $W_0 \cup W_{18}$. Observe that each element of G of order 3 fixes 6 vertices of V and no vertices of W ; each element of order 4 fixes two vertices of V and two of W , alternating on the axis of rotation; each involution of $E \leq G$ fixes two vertices of V and two of W , alternating on the axis of rotation; and each involution of $G - E$ fixes two vertices of V and two of W , alternating on the axis of rotation.

CASE 6: $n \equiv 20 \pmod{24}$

Finally, we embed the vertices $K_{24m+20, 24m+20}$. Once again, consider three nested geodesic cubes σ, σ_1 and σ_2 centered at s , with σ being the middle cube (see Figure 4). Let V_{20} consist of s, s' , and the centers of the faces of all three cubes. Embed V as $V_0 \cup V_{20}$. Let

W_{20} be the corners and the midpoints of the edges of σ ; embed W as $W_0 \cup W_{20}$. Observe that each element of G of order 3 fixes two vertices of V and two of W , alternating on the axis of rotation; each element of order 4 fixes 8 vertices of V and none of W ; each involution of $E \leq G$ fixes 8 vertices of V and none of W ; and each involution of $G - E$ fixes two vertices of V and two of W , alternating on the axis of rotation.

Now we apply the Edge Embedding Lemma to these embeddings of the vertices of $K_{24m+k, 24m+k}$. In each case, for $k = 2, 6, 8, 14, 18, 20$, the arcs along the axes of rotation from the points of W_k to the center of the cube and its complement are the arcs required by condition (2) of the Edge Embedding Lemma; the remaining conditions are easy to check. In particular, in every case the action of G fixes V and W setwise, so conditions (4) and (5) are satisfied trivially. Therefore, there is an embedding Γ_k of the corresponding complete bipartite graph with $S_4 \leq \text{TSG}_+(\Gamma_k)$.

Our last step is to apply the Subgroup Theorem to each of our embeddings Γ_k . In each case, if $m > 0$, then there is a vertex $v \in V_0$ embedded in B , which is not fixed by any element of G . Let w_1, w_2, w_3 be any vertices in W . Let $e_i = \overline{vw_i}$, and T the union of the G -orbits of the e_i . Assume $\phi \in \text{TSG}_+(\Gamma_k)$ fixes e_1 pointwise, and fixes $\langle e_i \rangle_G$ setwise. So ϕ fixes v and w_1 . Since no element of G fixes v or interchanges V and W , e_2 is the only edge in $\langle e_2 \rangle_G$ which is incident to v . So ϕ also fixes e_2 pointwise, and hence fixes w_2 . Similarly, ϕ fixes w_3 . But then ϕ fixes a subgraph isomorphic to $K_{1,3}$, which cannot be embedded in a circle. So by the Subgroup Theorem, using set T , there is an embedding Γ'_k with $S_4 \cong \text{TSG}_+(\Gamma'_k)$.

So we may assume $m = 0$. When $k = 2$ or 6 , there is still a vertex of V_k or W_k which is embedded in B , and we can use the same argument as the previous paragraph. When $k = 8, 14, 18, 20$, two vertices of V_k are embedded at s and s' , which are fixed by every element of G . Let v_1 be one of the other vertices of V , and w_1 be one of the vertices of W . Let $e_1 = \overline{v_1w_1}$, $e_2 = \overline{sw_1}$ and $e_3 = \overline{s'w_1}$, and let T be the union of the G -orbits of the e_i . Assume $\phi \in \text{TSG}_+(\Gamma_k)$ fixes e_1 pointwise and fixes each $\langle e_i \rangle_G$ setwise. Then ϕ fixes both v_1 and w_1 . Since s and s' are fixed by G , e_2 and e_3 are the only edges in their respective orbits which are adjacent to w_1 ; so ϕ must also fix these two edges pointwise. Therefore ϕ fixes a subgraph isomorphic to $K_{3,1}$, which cannot be embedded in S^1 . So by the Subgroup Theorem, using set T , there is an embedding Γ'_k with $S_4 \cong \text{TSG}_+(\Gamma'_k)$. \square

Combining Theorem 1, Lemma 7, Proposition 1 and Proposition 2, we obtain:

BIPARTITE S_4 THEOREM. *$K_{n,n}$ has an embedding Γ with $S_4 \cong \text{TSG}_+(\Gamma)$ if and only if $n \equiv 0, 2, 4, 6, 8 \pmod{12}$, $n \geq 4$, and $n \neq 6$.*

4. Embeddings with $\text{TSG}_+ \cong A_4$

As in the previous section, let F be the group of symmetries of a solid geodesic tetrahedron τ in S^3 , so $F \cong A_4$. We will first show that $K_{6,6}$ has an embedding with topological symmetry group isomorphic to A_4 .

PROPOSITION 3. *$K_{6,6}$ has an embedding Γ with $A_4 \cong \text{TSG}_+(\Gamma)$.*

PROOF. Let V_6 be the points t and t' at the center of τ and the center of its complement, together with the corners of τ . Let W_6 be the 6 points at the midpoints of the edges of τ . Embed V as V_6 and W as W_6 . Then F acts faithfully on the vertices of V and W . Each element of order 3 fixes three vertices of V and none of W , and each element of order 2 fixes two vertices of V and two of W . The arcs along the axes of rotation from the points of W_6 to the center of τ and its complement are the arcs required by condition (2) of the Edge Embedding Lemma; the remaining conditions are easy to check. Therefore, there is an embedding Γ of $K_{6,6}$ with $A_4 \leq \text{TSG}_+(\Gamma)$.

Now we apply the Subgroup Theorem. Let v be a vertex of V embedded at one of the corners of τ , and let w be an embedded vertex of W . Let $e_1 = \overline{wv}$, $e_2 = \overline{wt}$ and $e_3 = \overline{wt'}$, and T the union of their F -orbits. Assume $\phi \in \text{TSG}_+(\Gamma)$ fixes e_1 pointwise and fixes each $\langle e_i \rangle_F$ setwise. Then ϕ fixes w and v . Since every element of G fixes t and t' , e_2 and e_3 are the only edges in their orbits which are also incident to w , so ϕ also fixes both of these edges, and hence fixes t and t' . But $K_{3,1}$ cannot be embedded in a circle. So by the Subgroup Theorem, using set T , there is an embedding Γ' with $A_4 \cong \text{TSG}_+(\Gamma')$. \square

For the remaining cases, we will apply the following corollary of the Subgroup Theorem to the embeddings described in Propositions 1 and 2.

SUBGROUP COROLLARY ([5]). *Let Γ be an embedding of a 3-connected graph in S^3 . Suppose that Γ contains an edge e which is not pointwise fixed by any non-trivial element of $\text{TSG}_+(\Gamma)$. Then for every $H \leq \text{TSG}_+(\Gamma)$, there is an embedding Γ' of Γ with $H = \text{TSG}_+(\Gamma')$.*

PROPOSITION 4. *Let $n \equiv 0, 2, 4, 6$ or $8 \pmod{12}$, $n \geq 4$. Then $K_{n,n}$ has an embedding Γ with $A_4 \cong \text{TSG}_+(\Gamma)$.*

PROOF. Consider the embeddings $\Gamma'_0, \Gamma'_2, \Gamma'_4, \Gamma'_6, \Gamma'_8, \Gamma'_{14}, \Gamma'_{18}, \Gamma'_{20}$ from Propositions 1 and 2. Each of these embeddings has a topological symmetry group isomorphic to S_4 (induced by the action of the group H on its vertices for Γ'_0 and Γ'_4 , and by the action of the group G on its vertices for the other graphs). Moreover, for each k , Γ'_k contains an edge which is not fixed by any non-trivial element of $\text{TSG}_+(\Gamma'_k)$. The edge for each graph is listed in the table below.

Graph	Edge not fixed by $TSG_+(\Gamma'_k)$
Γ'_0	any edge of the graph
Γ'_2	any edge adjacent to a vertex of V_2 other than the center of the cube or its complement
Γ'_4	an edge from a corner of τ_1 to a corner of τ_2 which is not on an axis of rotation of order 3
Γ'_6	any edge adjacent to a vertex of W_6 not on the center of a face of the cube
Γ'_8	an edge from the center of a face of σ to an adjacent corner of σ
Γ'_{14}	an edge from the midpoint of an edge of σ to an adjacent corner of σ
Γ'_{18}	an edge from a corner of σ_2 to a midpoint of an edge of σ
Γ'_{20}	an edge from the center of a face of σ to an adjacent corner of σ

So by the Subgroup Corollary there is a re-embedding Γ''_k of Γ'_k with $A_4 \cong TSG_+(\Gamma''_k)$. This proves the result for $n \equiv 0, 2, 4, 6, 8 \pmod{12}$, $n \geq 4$, $n \neq 6$. The final case, when $n = 6$, is given by Proposition 3. □

Combining Theorem 1 and Proposition 4, we obtain:

BIPARTITE A_4 THEOREM. *$K_{n,n}$ has an embedding Γ with $A_4 \cong TSG_+(\Gamma)$ if and only if $n \equiv 0, 2, 4, 6$ or $8 \pmod{12}$ and $n \geq 4$.*

5. Embeddings with $TSG_+ \cong A_5$

We now turn to the last of the polyhedral groups, A_5 (the group of symmetries of a regular dodecahedron). By Theorem 2 and Lemma 10, we know that if $K_{n,n}$ has an embedding Γ with $TSG_+(\Gamma) \cong A_5$, then $n \equiv 0, 2, 12, 20, 30, 32, 42$ or $50 \pmod{60}$, and $n > 30$. We will construct embeddings for each of these possibilities. Let D be the group of symmetries of a regular solid dodecahedron Δ in S^3 ; then $D \cong A_5$. Let d denote the center of Δ and d' denote the center of its complement; every element of D fixes d and d' .

PROPOSITION 5. *If $n \equiv 0, 2, 12, 20, 30, 32, 42$ or $50 \pmod{60}$, and $n > 30$, then $K_{n,n}$ has an embedding Γ with $A_5 \cong TSG_+(\Gamma)$.*

PROOF. We will embed the vertices of $K_{n,n}$ for each case, and then apply the Edge Embedding Lemma and the Subgroup Theorem as in Propositions 1 and 2.

CASE 1: $n \equiv 0 \pmod{60}$

We will first embed the vertices of $K_{60m,60m}$. Let B be a ball which is in the complement of the fixed point sets of the elements of D , such that B is disjoint from all its images under the action of D . Pick m points of B . The union of the orbits of these m points under the action of D contains $60m$ points; denote this set of points by V_0 and embed the vertices of V as V_0 . Similarly, pick another, disjoint, set of m points in B and embed the vertices of W as the orbits of these points, denoted W_0 .

CASE 2: $n \equiv 2 \pmod{60}$

Since $n > 30$, this means $n = 60m + 62$. We will embed the vertices of $K_{60m+62,60m+62}$. Let V_2 consist of d, d' , and a point of B (not in $V_0 \cup W_0$) and its orbit under D . Embed V as $V_0 \cup V_2$. Let W_2 consist of the 62 points at the corners, the centers of the faces, and the midpoints of the edges of Δ and embed W as $W_0 \cup W_2$. Then D acts faithfully on the embedded vertices. Observe that every element of D fixes two vertices of V (namely, d and d') and two of W , alternating along the axis of rotation.

CASE 3: $n \equiv 12 \pmod{60}$

Since $n > 30$, if $n \equiv 12 \pmod{60}$ then $n = 60m + 72$. We will embed the vertices of $K_{60m+72,60m+72}$. Consider Δ and Δ' , where Δ' is a second solid geodesic dodecahedron which is concentric with Δ (so d is also the center of Δ' , and D is the group of symmetries of Δ'). Let V_{12} consist of d, d' , the 50 points at the corners and midpoints of the edges of Δ and the 20 points at the corners of Δ' . Embed V as $V_0 \cup V_{12}$. Let W_{12} consist of the 12 points at the centers of the faces of Δ along with a point of B (not in $V_0 \cup W_0$) and its orbit under D , and embed W as $W_0 \cup W_{12}$. Observe that each element of G of order 5 fixes two vertices of V and two of W , alternating on the axis of rotation; each element of order 3 fixes four vertices of V and none of W ; and each involution fixes four vertices of V and none of W .

CASE 4: $n \equiv 20 \pmod{60}$

Again, since $n > 30$, if $n \equiv 20 \pmod{60}$ then $n = 60m + 80$. We will embed the vertices of $K_{60m+80,60m+80}$. Let $\Delta_1, \Delta_2, \Delta_3, \Delta_4$ be four concentric regular solid dodecahedra (all with center d and group of symmetries D). Let V_{20} consist of d, d' , the 48 points at the centers of the faces of the Δ_i , and the 30 points at the midpoints of the edges of Δ_1 . Embed V as $V_0 \cup V_{20}$. Let W_{20} be the 20 points at the corners of Δ_1 along with a point of B (not in $V_0 \cup W_0$) and its orbit under D , and embed W as $W_0 \cup W_{20}$. Observe that each element of D of order 5 fixes 10 vertices of V and none of W ; each element of order 3 fixes two vertices of V and two of W , alternating on the axis of rotation; and each involution fixes four vertices of V and none of W .

CASE 5: $n \equiv 30 \pmod{60}$

Once again, since $n > 30$, if $n \equiv 30 \pmod{60}$ then $n = 60m + 90$. We will embed the vertices of $K_{60m+90,60m+90}$. As in the last paragraph, let $\Delta_1, \Delta_2, \Delta_3, \Delta_4$ be four concentric regular solid dodecahedra with center d and group of symmetries D . Let V_{20} consist of d, d' , the 48 points at the centers of the faces of the Δ_i , and the 40 points at the corners of Δ_1 and Δ_2 . Embed V as $V_0 \cup V_{30}$. Let W_{30} be the 30 points at the midpoints of the edges of Δ_1 along

with a point of B (not in $V_0 \cup W_0$) and its orbit under D , and embed W as $W_0 \cup W_{30}$. Observe that each element of D of order 5 fixes 10 vertices of V and none of W ; each element of order 3 fixes 6 vertices of V and none of W ; and each involution fixes two vertices of V and two of W , alternating on the axis of rotation.

CASE 6: $n \equiv 32 \pmod{60}$

We will embed the vertices of $K_{60m+32,60m+32}$. Let V_{32} consist of d, d' , and the 30 points at the midpoints of the edges of Δ . Embed V as $V_0 \cup V_{32}$. Let W_{32} be the 32 points at the corners and the centers of the faces of Δ and embed W as $W_0 \cup W_{32}$. Observe that each element of D of order 5 fixes two vertices of V and two of W , alternating on the axis of rotation; each element of order 3 fixes two vertices of V and two of W , alternating on the axis of rotation; and each involution fixes four vertices of V and none of W .

CASE 7: $n \equiv 42 \pmod{60}$

We will embed the vertices of $K_{60m+42,60m+42}$. Let Δ_1 and Δ_2 be two concentric regular solid dodecahedra with common center d and symmetry group D . Let V_{42} consist of d, d' , and the 40 points at the corners of Δ_1 and Δ_2 . Embed V as $V_0 \cup V_{42}$. Let W_{42} be the 42 points at the centers of the faces and the midpoints of the edges of Δ_1 and embed W as $W_0 \cup W_{42}$. Observe that each element of D of order 5 fixes two vertices of V and two of W , alternating on the axis of rotation; each element of order 3 fixes 6 vertices of V and none of W ; and each involution fixes two vertices of V and two of W , alternating on the axis of rotation.

CASE 8: $n \equiv 50 \pmod{60}$

Finally we will embed the vertices of $K_{60m+50,60m+50}$. Let $\Delta_1, \Delta_2, \Delta_3, \Delta_4$ be four concentric regular solid dodecahedra with common center d and symmetry group D . Let V_{50} consist of d, d' , and the 48 points at the centers of the faces of the Δ_i . Embed V as $V_0 \cup V_{50}$. Let W_{50} be the 50 points at the corners and the midpoints of the edges of Δ_1 and embed W as $W_0 \cup W_{50}$. Observe that each element of D of order 5 fixes 10 vertices of V and none of W ; each element of order 3 fixes two vertices of V and two of W , alternating on the axis of rotation; and each involution fixes two vertices of V and two of W , alternating on the axis of rotation.

Now that we have embedded the vertices in every case, it only remains to use the Edge Embedding Lemma to embed the edges, and then the Subgroup Theorem to find an embedding whose topological symmetry group is isomorphic to A_5 . These arguments are almost identical to those in Proposition 2, and the details are left to the reader. \square

Combining Theorem 2, Lemma 10 and Proposition 5, we obtain:

BIPARTITE A_5 THEOREM. *$K_{n,n}$ has an embedding Γ with $A_5 \cong \text{TSG}_+(\Gamma)$ if and only if $n > 30$ and $n \equiv 0, 2, 12, 20, 30, 32, 42$ or $50 \pmod{60}$.*

ACKNOWLEDGMENTS. The author would like to thank Erica Flapan and Ramin Naimi for many helpful conversations, and for their comments on early drafts of this paper. The author would also like to thank the anonymous referee for their many helpful suggestions.

References

- [1] W. BURNSIDE, *Theory of groups of finite order*, Cambridge University Press, 1897.
- [2] D. CHAMBERS, E. FLAPAN and J. O'BRIEN, Topological symmetry groups of K_{4r+3} , *Discrete and Continuous Dynamical Systems* **4** (2011), 1401–1411.
- [3] P. DU VAL, *Homographies, Quaternions and Rotations*, Oxford University Press, Oxford, 1964.
- [4] E. FLAPAN, N. LEHLE, B. MELLOR, M. PITTLUCK and X. VONGSATHORN, Symmetries of embedded complete bipartite graphs, preprint, 2012. Available at arXiv:1205.4052.
- [5] E. FLAPAN, B. MELLOR and R. NAIMI, Spatial graphs with local knots, *Rev. Mat. Comp.* **25**, no. 2 (2012), 493–510.
- [6] E. FLAPAN, B. MELLOR and R. NAIMI, Complete graphs whose topological symmetry groups are polyhedral, *Alg. Geom. Top.* **11** (2011), 1405–1433.
- [7] E. FLAPAN, B. MELLOR, R. NAIMI and M. YOSHIKAWA, Classification of topological symmetry groups of K_n , to appear in *Topology Proceedings* **43** (2013). Available at arXiv:1205.1560s.
- [8] E. FLAPAN, R. NAIMI, J. POMMERSHEIM and H. TAMVAKIS, Topological symmetry groups of graphs embedded in the 3-sphere, *Comment. Math. Helv.* **80** (2005), 317–354.
- [9] E. FLAPAN, R. NAIMI and H. TAMVAKIS, Topological symmetry groups of complete graphs in the 3-sphere, *J. London Math. Soc.* **73** (2006), 237–251.
- [10] R. FRUCHT, Herstellung von graphen mit vorgegebener abstrakter Gruppe, *Compositio Math.* **6** (1938), 239–250.
- [11] K. HAKE, B. MELLOR and M. PITTLUCK, Complete bipartite graphs with cyclic or dihedral topological symmetry groups, in preparation.
- [12] J. MORGAN and F. FONG, *Ricci flow and geometrization of 3-manifolds*, University Lecture Series, vol. 53, American Mathematical Society, Providence, RI, 2010.
- [13] J. SIMON, Topological chirality of certain molecules, *Topology* **25** (1986), 229–235.

Present Address:

DEPARTMENT OF MATHEMATICS,
LOYOLA MARYMOUNT UNIVERSITY,
LOS ANGELES, CA 90045, USA.
e-mail: blake.mellor@lmu.edu